

SINEAX VS50

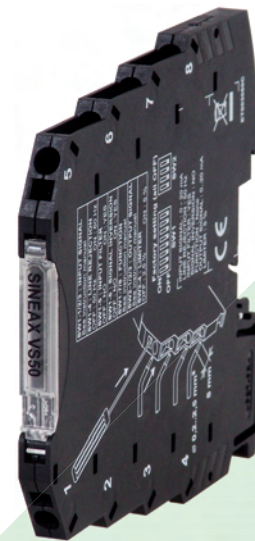
Isolating Amplifier

DC current / Voltage converter



Features / Benefits

- Input: Current 0/4 ... 20 mA or voltage 0/1 ... 5, 0/2 ... 10, 0 ... 15/30 V DC
- Output: current 0/4 ... 20, 20 ... 4/0 mA or voltage 0/1 ... 5, 0/2 ... 10 V DC
- 3-way galvanic isolation
- Spring-cage clamp connection
- Power bridging terminal – DIN rail bus connector
- Small dimensions (6.2 x 93.1 x 102.5 mm)
- Resolution of 14 bit
- Accuracy class 0.1%



General Data

Power supply	19.2 ... 30 V DC
Accuracy	0.08% of the f.s. value for mA or 5 V output 0.07% of the f.s. value for 10 V output
Status indicators (LED)	Input or output out-of-range limiter device triggered Input saturation Internal fault
Galvanic isolation	Power supply / input / output at 1500 V AC, digital
Hot swapping	Yes
Power consumption	500 mW
A/D Converter	14 bit
Current output protection	Approximately 25 mA
Security output	102.5% of full scale value in case of over-range 105% of full scale value in case of improper functioning
Humidity	Up to 90% at + 40 °C (not condensing)
Housing	Terminal housing for mounting on 35 mm DIN 46277
Frequency filter	50 ... 60 Hz (settable)
DIP-Switch	– Input signals setup – Output signal setup
Processing	Floating point 32 bit
Dimensions	6,2 x 93,1 x 102,5 mm (w x h x d)
Weight	50 g

Operating temperature	– 20 ... + 65 °C
Connections	Spring cage clamp
IP Protection	IP 20
Conformity	CE

Input Data

Voltage (max. 50 V)	0 ... 15 V, 0 ... 30 V Input impedance: 325 kΩ 0 ... 10 V, 2 ... 10 V, 0 ... 5 V, 1 ... 5 V Input impedance: 110 kΩ
Current (max. 24 V)	0 ... 20 mA, 4 ... 20 mA input impedance: 35 Ω

Output Data

Voltage:	0 ... 5 V DC, 1 ... 5 V DC, 0 ... 10 V DC and 2 ... 10 V DC Lower load resistance: 2 kΩ
Current	0 ... 20 mA, 4 ... 20 mA, 20 ... 0 mA and 20 ... 4 mA Higher load resistance: 500 Ω

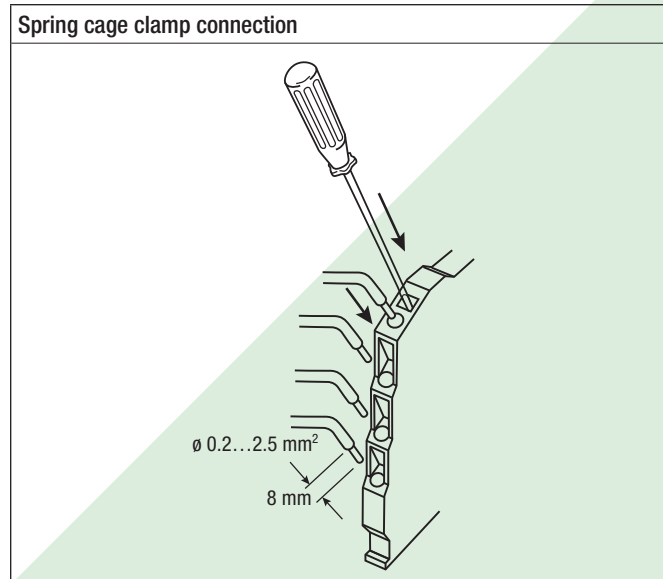
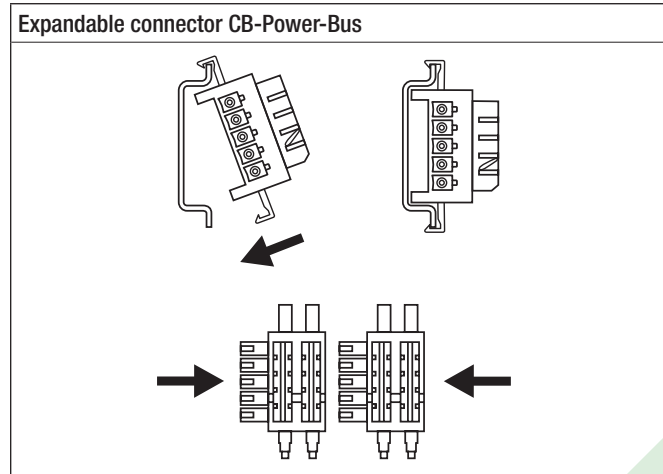
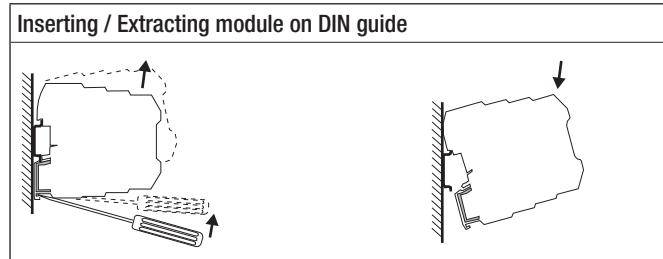
SINEAX VS50

Isolating Amplifier

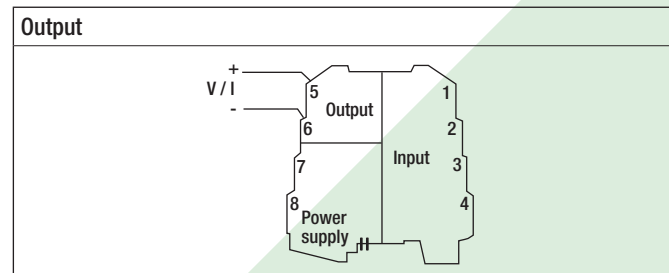
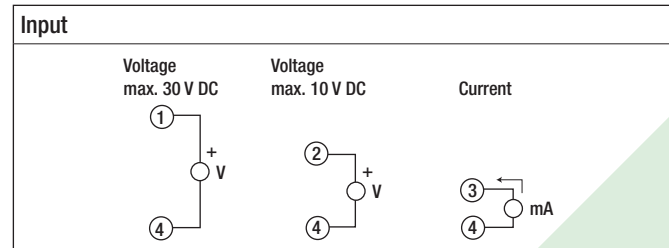
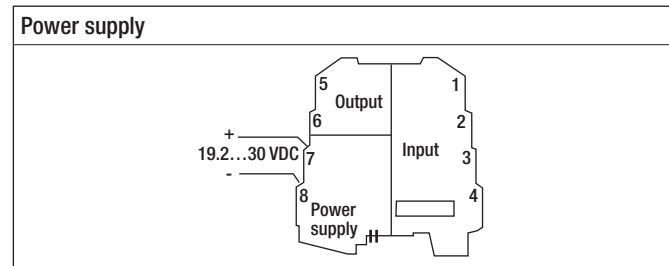
Order Codes

Description	Code
DC current / Voltage converter	162 785
Accessories	
CB-Power-Bus Expandable power supply connector	162 826
SINEAX VS70 Power supply module with surge protection	162 818

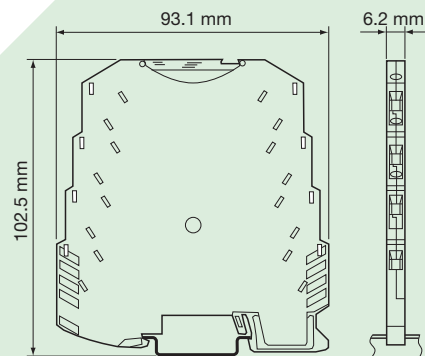
Installation



Electrical connections



Dimensional drawing



 **CAMILLE BAUER**

Rely on us.

Camille Bauer Ltd
Aargauerstrasse 7
CH-5610 Wohlen / Switzerland

Phone: +41 56 618 21 11

Fax: +41 56 618 35 35

e-mail: info@camillebauer.com

www.camillebauer.com