

The following symbols in the Operating Instructions indicate safety precautions which must be strictly observed:



The instruments must only be disposed of in the correct way!

Operating Instructions

Isolating amplifier SINEAX TV 819



Camille Bauer LTD
Aargauerstrasse 7
CH-5610 Wohlen/Switzerland
Phone +41 56 618 21 11
Fax +41 56 618 21 21
info@camillebauer.com
www.camillebauer.com



TV 819 Be 147 969-02 06.13

Contents

1. Read first and then ...	1
2. Scope of supply	1
3. Brief description	1
4. Overview of the parts	1
5. Technical data	2
6. Opening and closing the device	2
7. Mounting	2
8. Electrical connections	2
9. Configuration	3
10. Commissioning	3
11. Maintenance	3
12. Releasing the isolating amplifier	3
13. Dimensional drawings	4
14. Declaration of conformity	4

1. Read first and then ...



The proper and safe operation of the device assumes that the Operating Instructions are **read** and the safety warnings given in the various Sections

- 7. Mounting**
- 8. Electrical connections**
- 9. Configuration**
- 10. Commissioning**

are **observed**.

The device should only be handled by appropriately trained personnel who are familiar with it and authorised to work in electrical installations.

The instrument must only be opened to make the configuration, as described in Section "9. Configuration".

The guarantee is no longer valid if the instrument is further tampered with.

2. Scope of supply (Fig. 1 and 2)

Isolating amplifier

Order Code: Significance of the 1st to 7th digits

Description	Order Code
1. Mechanical design	819 -
Housing with screw terminals, not pluggable	3
Housing with screw terminals, pluggable	9
2. Version / Power supply	
Standard/Power supply 24 ... 60 V DC, AC	1
Standard/Power supply 85 ... 230 V DC, AC	2
3. Function	
1 input max. 1000 V	1
1 electrically insulated output	
4. Input signal	
Input [V]	9
Input [mA]	Z

Description	Order Code
5. Output signal	
Output [V]	9
Output [mA]	Z
6. Output characteristics	
Standard (directly proportional, 0...Y/0,2Y...Y/-Y...0...+Y)	0
Inversely (proportional, Y...0/Y...0,2Y/+Y...0...-Y)	1
7. Test certificate	
Without test certificate	0
With test certificate in German	D
With test certificate in English	E

Y = Output circuit full-scale value



Fig. 1



Fig. 2

1 Operating Instructions in German, French and English

3. Brief description

The purpose of the isolating amplifier **SINEAX TV 819** is to electrically insulate input and output signals, respectively to amplify and/or change the signal level or type (current or voltage) of the input signals.

Any of the input and output standard ranges given in the Section "9. Configuration" and the type of input and output variable (current or voltage) are simply selected by positioning soldered jumpers. The fine adjustment is accomplished using the potentiometers "Zero" and "Span".

The isolating amplifiers that are supplied as preferred devices have the following basic configuration:

- Measuring input:	4 ... 20 mA
- Measuring output:	4 ... 20 mA

4. Overview of the parts

Figure 3 shows those parts of the device of consequence for electrical connections and other operations described in the Operating Instructions.

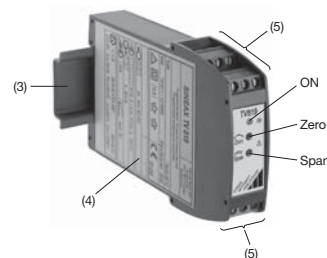


Fig. 3

(3) Top-hat rail 35 × 15 mm or 35 × 7.5 mm (EN 50 022)

(4) Type label

(5) Screw terminals

ON Green LED for indicating device standing by

5. Technical data

Measuring input $\rightarrow \ominus$

DC current:	Limit values 0...0.1 to 0...40 mA, also live-zero, start value > 0 to ≤ 50% final value or span 0.1 to 40 mA between - 40 and 40 mA (also bipolar asymmetrical)
DC voltage:	Limit values 0...0.06 to 0...1000 V, also live-zero, start value > 0 to ≤ 50% final value or span 0.06 to 1000 V between -1000 and 1000 V (also bipolar asymmetrical)
Overload capacity:	DC current continuously 2-fold DC voltage continuously 2-fold

Measuring output $\ominus \rightarrow$

DC current:	Limit values 0...1 to 0...20 mA 0.2...1 to 4...20 mA - 1...0...+ 1 to -20...0...+ 20 mA
External resistance:	R_{ext} max. ≤ 600 Ω at output 20 mA
DC voltage:	Limit values 0...1 to 0...10 V 0.2...1 to 2...10 V - 1...0...+ 1 to - 10...0...+ 10 V
Load capacity:	R_{ext} min. ≥ 2 kΩ at output 10 V

Power supply $\rightarrow \bigcirc$

DC, AC power pack (DC or 45...400 Hz)
Nominal voltages and tolerances

Nominal voltages U_N	Tolerances
24 ... 60 V DC, AC	DC - 15 ... + 33%
85 ... 230 V DC, AC*	AC ± 15%

Power input: ≤ 1.5 W resp. ≤ 3 VA

LED

Green LED: Lights after switching on the power supply

* An external supply fuse must be provided for DC supply voltages > 125 V.

6. Opening and closing the device

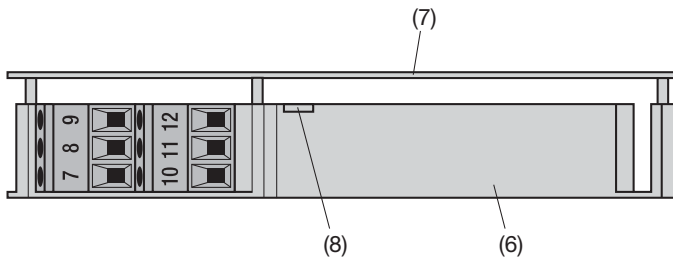


Fig. 4. Opening the device.

The device consists of a casing (6) and a cover (7). Both parts of the casing may be fitted together manually by tightly fitting pins. At the top edge of the casing there are four small indentations (8). To open the casing, place a screwdriver (min. size 2) at these positions and carefully lift the pins a few mm out of the casing. To lift the cover completely, place a suitable tool between the casing and the cover and release all the pins.

To close the casing, introduce the pins into the holes in the casing and lightly press both parts together until the casing and cover are completely closed.

7. Mounting

The SINEAX TV 819 can be mounted on a top-hat rail.



When deciding where to install the transmitter (measuring location), take care that the **limits** of the operating temperature **are kept**:
-25 and + 55 °C

Simply clip the device onto the top-hat rail (EN 50 022) (see Fig. 5).

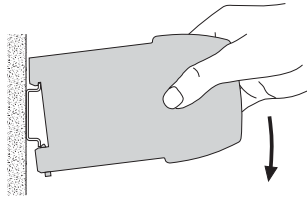


Fig. 5. Mounting on top-hat rail 35 × 15 or 35 × 7.5 mm.

8. Electrical connections

Depending on the version of the device, there are fixed or plug-in screw terminals for connecting the wires. These are easily accessible at the front of the isolating amplifier and are suitable for wires of up to 2.5 mm².



Make sure that all cables are not live when making the connections!

Impending danger by high input voltage or high power supply voltage.



Also note that, ...

... the data required to carry out the prescribed measurement must correspond to those marked on the nameplate of SINEAX TV 819 ($\rightarrow \ominus$ measuring input, $\ominus \rightarrow$ measuring output and $\rightarrow \bigcirc$ power supply)!

... the resistance in the output circuit may not **overrange** the current output value

$$R_{ext} \text{ max. [k}\Omega\text{]} = \frac{12 \text{ V}}{I_{AN} \text{ [mA]}}$$

(I_{AN} = current output value)

and not **underrange** the voltage output value

$$R_{ext} \text{ min. [k}\Omega\text{]} \geq \frac{U_{AN} \text{ [V]}}{5 \text{ mA}}$$

(U_{AN} = voltage output value)

... the measurement input and output cables should be twisted pairs and run as far as possible away from heavy current cables!

In all other respects, observe all local regulations when selecting the type of electrical cable and installing them!

Measuring function/ Application	DC voltage (direct input)	DC current	DC voltage (input via potential divider)
Measuring span	0,06...40 V	0,1...40 mA	> 40...1000 V
Measuring range limits taking the max. measuring range into consideration	- 40...0...40 V	- 40...0...40 mA	-1000...0...1000 V
Electrical connections:			

9. Configuration

The SINEAX TV 819 unit has to be opened before it can be configured (see Section "6. Opening and closing the device").

9.1 Standard input ranges

Soldered jumpers are provided for the coarse setting of the input ranges and the fine adjustment is accomplished using the potentiometers "Zero" and "Span".

Current [mA]	Soldered jumpers		R_i	
0 ... 0.1	1, 3	7, 10, 11	1.335 k Ω	
0 ... 0.2	1, 3	8, 11	1.335 k Ω	
0 ... 0.5	1, 4	9, 10, 11	135 Ω	
0 ... 1	1, 4	6, 10, 11	135 Ω	
0 ... 2	1, 4	8, 11	135 Ω	
0 ... 5	1, 5	6, 7, 8, 10, 11	15 Ω	
0 ... 10	1, 5	10, 11	15 Ω	
0 ... 20	1, 5	6, 11	15 Ω	
0.2 ... 1	1, 4	8, 10, 11	135 Ω	
1 ... 5	1, 4	6, 9	135 Ω	
2 ... 10	1, 5	6, 7, 10, 11	15 Ω	
4 ... 20	1, 5	6, 7, 8, 11	15 Ω	
- 0.1 ... 0 ... + 0.1	1, 3	8, 11	13, 14, 16	1.335 k Ω
- 0.2 ... 0 ... + 0.2	1, 3	7, 9	13, 14, 16	1.335 k Ω
- 0.5 ... 0 ... + 0.5	1, 4	7, 10, 11	13, 14, 16	135 Ω
- 1 ... 0 ... + 1	1, 4	8, 11	13, 14, 16	135 Ω
- 2 ... 0 ... + 2	1, 4	6, 9	13, 14, 16	135 Ω
- 5 ... 0 ... + 5	1, 5	10, 11	13, 14, 16	15 Ω
- 10 ... 0 ... + 10	1, 5	6, 11	13, 14, 16	15 Ω
- 20 ... 0 ... + 20	1, 5	6, 7	13, 14, 16	15 Ω

Example: Input range 0...20 mA. For this range, the soldered jumpers 1, 5, 6 and 11 must be linked.

Voltage [V]	Soldered jumpers		R_i	
0 ... 0.06		6, 9, 10, 11	1.121 M Ω	
0 ... 0.1		7, 8, 10, 11	1.121 M Ω	
0 ... 0.2		6, 8, 9, 11	1.121 M Ω	
0 ... 0.5		6, 7, 8, 9, 10	1.121 M Ω	
0 ... 1	2	6, 7, 8, 10, 11	131.2 k Ω	
0 ... 2	2	7, 8, 9, 11	131.2 k Ω	
0 ... 5	2	8, 10	131.2 k Ω	
0 ... 10	1	10, 11	121.8 k Ω	
0 ... 20	1	6, 11	121.8 k Ω	
0 ... 40	1	8	121.8 k Ω	
0.2 ... 1	2	9, 10, 11	12, 15	131.2 k Ω
1 ... 5	2	6, 8, 9, 10	12, 15	131.2 k Ω
2 ... 10	1	6, 7, 10, 11	12, 15	121.8 k Ω
4 ... 20	1	6, 7, 8, 11	12, 15	121.8 k Ω
- 0.1 ... 0 ... + 0.1		6, 8, 9, 11	13, 14, 16	1.121 M Ω
- 0.2 ... 0 ... + 0.2		6, 7, 9, 10	13, 14, 16	1.121 M Ω
- 0.5 ... 0 ... + 0.5	2	7, 8, 10, 11	13, 14, 16	131.2 k Ω
- 1 ... 0 ... + 1	2	7, 8, 9, 11	13, 14, 16	131.2 k Ω
- 2 ... 0 ... + 2	2	6, 8, 9, 10	13, 14, 16	131.2 k Ω
- 5 ... 0 ... + 5	1	10, 11	13, 14, 16	121.8 k Ω
- 10 ... 0 ... + 10	1	6, 11	13, 14, 16	121.8 k Ω
- 20 ... 0 ... + 20	1	8	13, 14, 16	121.8 k Ω

Voltage range > 40 V ... 1000 V

Voltage [V]	Soldered jumpers		R_i	
0 ... 100	2	7, 9, 10	3.051 M Ω	
0 ... 150	2	9	3.051 M Ω	
0 ... 200	1	6, 7, 10, 11	3.042 M Ω	
0 ... 250	1	10, 11	3.042 M Ω	
0 ... 600	1	6, 7, 9, 10	3.042 M Ω	
0 ... 1000	1	8	3.042 M Ω	
- 50 ... 50	2	7, 9, 10	13, 14, 16	3.051 M Ω
- 100 ... 100	1	6, 7, 10, 11	13, 14, 16	3.042 M Ω
- 150 ... 150	1	6, 8, 9, 11	13, 14, 16	3.042 M Ω
- 200 ... 200	1	6, 7, 8, 11	13, 14, 16	3.042 M Ω
- 400 ... 400	1	10	13, 14, 16	3.042 M Ω
- 500 ... 500	1	8	13, 14, 16	3.042 M Ω

9.2 Standard output ranges

Soldered jumpers are provided for the coarse setting of the output ranges and the fine adjustment is accomplished using the potentiometers "Zero" and "Span".

Current [mA]	Soldered jumpers	Voltage [V]	Soldered jumpers
0 ... 20	B 20	0 ... 10	B 20 B 22 B 23
4 ... 20	B 21	2 ... 10	B 21 B 22 B 23
± 20	—	± 10	B 22 B 23

9.3 Specific user output ranges

Units that have been configured for a specific user output range cannot be subsequently reconfigured.

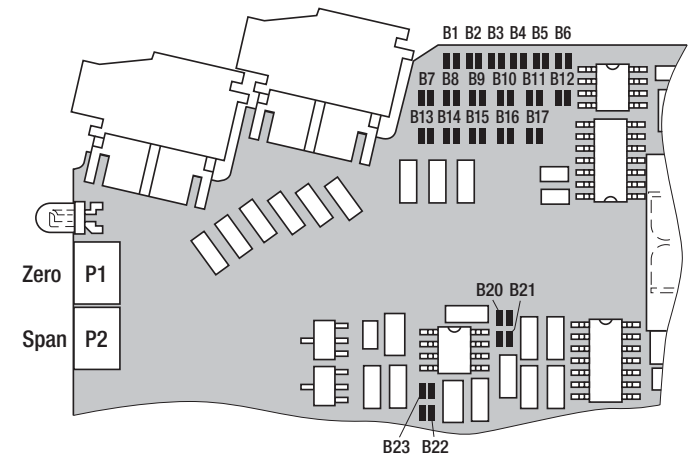


Fig. 6. Position of the soldered jumpers B ..., potentiometer "Zero" and "Span".

10. Commissioning

Switch on the measuring input and the power supply.

i The power supply unit must be capable of supplying a brief current surge when switching on. The instrument presents a low impedance at the instant of switching which requires a current I_{start} of ...

... $I_{start} \geq 160$ mA for the version with a power supply range 24 – 60 V DC, AC

or

... $I_{start} \geq 35$ mA for the version with a power supply range 85 – 230 V DC, AC

11. Maintenance

No maintenance is required.

12. Releasing the isolating amplifier

Release the isolating amplifier from a top-hat rail as shown in Fig. 7.

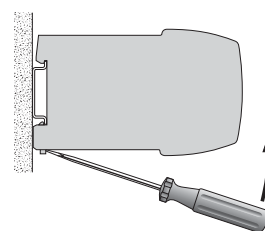


Fig. 7

13. Dimensional drawings

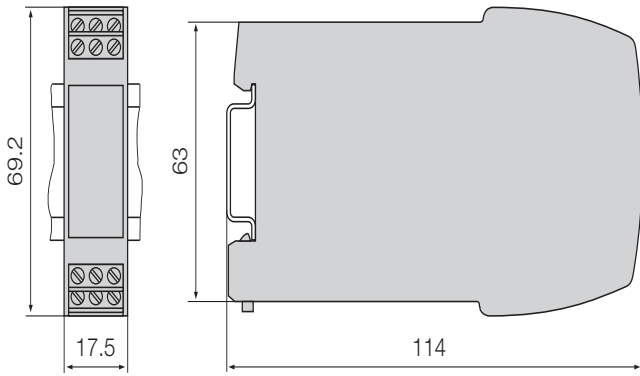


Fig. 8. SINEAX TV 819 in carrying rail housing **P12/17** clipped onto a top-hat rail (35 × 15 mm or 35 × 7.5 mm, acc. to EN 50 022), **screw terminals not pluggable**.

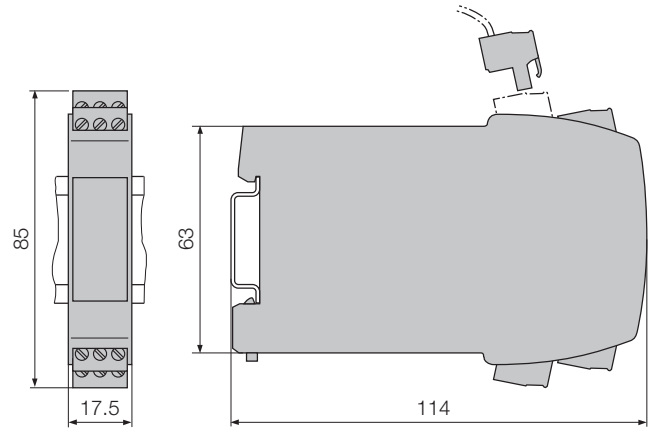


Fig. 9. SINEAX TV 819 in carrying rail housing **P12/17 St** clipped onto a top-hat rail (35 × 15 mm or 35 × 7.5 mm, acc. to EN 50 022), **screw terminals pluggable**.

14. Declaration of conformity



EG - KONFORMITÄTSERKLÄRUNG DECLARATION OF CONFORMITY



Dokument-Nr. / Document No.: TV819_CE-konf.DOC

Hersteller / Manufacturer: **Camille Bauer AG**
Switzerland

Anschrift / Address: **Aargauerstrasse 7**
CH-5610 Wohlen

Produktbezeichnung / Product name: **1Kanalig Unipolar / Bipolar Trennverstärker**
1 channel Isolating amplifier unipolar / bipolar

Typ / Type: **SINEAX TV 819**

Das bezeichnete Produkt stimmt mit den Vorschriften folgender Europäischer Richtlinien überein, nachgewiesen durch die Einhaltung folgender Normen:

The above mentioned product has been manufactured according to the regulations of the following European directives proven through compliance with the following standards:

Nr. / No.	Richtlinie / Directive
2004/108/EG	Elektromagnetische Verträglichkeit - EMV - Richtlinie
2004/108/EC	Electromagnetic compatibility -EMC directive


EMV / EMC	Fachgrundnorm / Generic Standard	Messverfahren / Measurement methods
Störaussendung / Emission	EN 61000-6-4 : 2007	EN 55011 : 2007+A2:2007
Störfestigkeit / Immunity	EN 61000-6-2 : 2005	IEC 61000-4-2: 1995+A1:1998+A2:2001 IEC 61000-4-3: 2006+A1:2007 IEC 61000-4-4: 2004 IEC 61000-4-5: 2005 IEC 61000-4-6: 2008 IEC 61000-4-11:2004

Nr. / No.	Richtlinie / Directive
2006/95/EG	Elektrische Betriebsmittel zur Verwendung innerhalb bestimmter Spannungsgrenzen – Niederspannungsrichtlinie – CE-Kennzeichnung : 95
2006/95/EC	Electrical equipment for use within certain voltage limits – Low Voltage Directive – Attachment of CE mark : 95

EN/Norm/Standard	IEC/Norm/Standard
EN 61 010-1 : 2001	IEC 1010-1 : 2001

Ort, Datum / Place, date: Wohlen, 2.Oktob.2009

Unterschrift / signature:


M. Ulrich
Leiter Technik / Head of engineering


J. Brem
Qualitätsmanager / Quality manager