

U1601, U1602, U1603

Summators – Energy Control System ECS

3-348-869-03

15/1.21



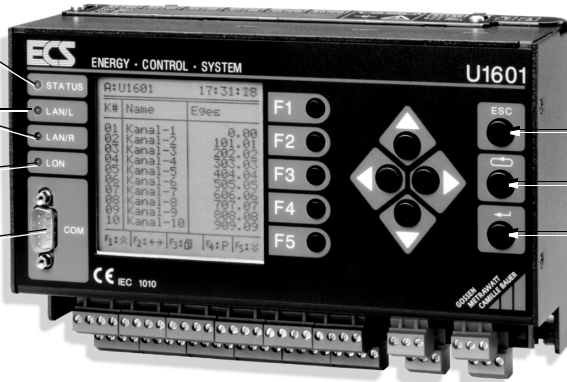
Device Overview

Status LED
page 9

LAN LED
page 13

LON LED
page 13

RS 232
Interface
page 9



ESC Key

Menu Key

Enter Key

Characteristics	U1601	U1602	U1603
64 channels	✓	✓	✓
Analog inputs / S0	I1 ... I12	—	I1 ... I6
Binary outputs	S1 ... S4	—	S1 ... S4
Analog outputs	O1, O2,	—	O1, O2,
Relay outputs	Relay 1, relay 2, status	Status	Relay 1, relay 2, status
RS 232 COM1 / COM2	✓ (in a single plug)	✓	✓
LANL / LANR	✓	✓	✓
LON	✓	✓	✓
24 V auxiliary power	✓	✓	✓
Control panel	✓	—	—

Contents

Page

1	Applications	4
2	System Description	4
3	Instrument Description	5
3.1	Instrument Overview	5
3.2	Channels / Calculations	5
3.3	Inputs E1 ... E12 and E1 ... E6 respectively (analog / binary)	8
3.4	Analog Outputs A1 and A2	8
3.5	S0 Outputs S1 through S4	9
3.6	Relay Outputs	9
3.7	Self Test	9
3.8	RS232 Interface	9
3.9	ECS LAN	10
3.10	LAN LED (LANL/LANR)	13
3.11	LON Connection	13
3.12	LON LED	13
4	Measurement Data	14
4.1	Overview of Available Measurement Data	14
4.2	Synchronizing-Interval Data Logger	16

5	Operation (menu displays)	18
5.1	Menu: Overview (main menu display)	18
5.2	Menu 1: Display Total Energy, Power and Costs	19
5.3	Menu 2: Display Interval Energy	20
5.4	Menu 3: Display Maximum Values for Interval Energy	21
5.5	Menu 4: Display Analog Inputs and Outputs	22
5.6	In-Service Function.	24
5.7	Menu: Display Applications.	25
5.8	Menu 5: Display Status Menu (time, relays, errors, interfaces)	26
6	Basic Configuration	28
6.1	Setup Parameters Overview	28
6.2	Setup Selection Menu	29
6.3	Station Parameters (IDs, intervals, tariffs, outputs, ...)	30
6.4	(Channel) Parameters (mode, name, units, displays, ...)	33
6.5	RS232 Menu	38
6.6	LON Menu	39
6.7	ECS LAN Menu	39
6.8	SETUP Sub-Menus (edit, erase, outputs, bootstrap loader, password).	40
6.9	Firmware Update	43
6.10	Master Reset	45
6.11	Basic Software Configuration	46
7	Connections	48
7.1	Terminal Assignments	48
7.2	Input and Output Configuration (DIP switches)	50
7.3	Interface Pin Assignments, Connector Cable	50
8	Meter Installation	52
9	Programming	54
9.1	General Information	54
9.2	Parameters Configuration and Data Visualization at a PC	55
10	Characteristic Values	56
11	LON Bus System Structure	61
11.1	Maximum Cable Lengths	62
11.2	Cable Type.	62
11.3	Bus Termination	62
12	Connecting LON Bus Compatible Devices	63
12.1	Network Interface	63
12.2	Functions	63
12.3	Device Descriptions	64
12.4	Reinstalling a LON Device.	70
12.5	Configuration at a PC with ECSwin Software	71
12.6	Replacing a LON Device.	71
12.7	Additional LON Parameters	72
12.8	Channel Errors	72
13	Functions Overviews	73
14	Index	76
15	Maintenance, Repair, Product Support	79

1 Applications

The **Energy Control System (ECS)** allows for unambiguous cost center accounting. Electrical as well as non-electrical energy and its consumption can be recorded, optimized and billed to individual cost centers.

The U1601, U1602 and U1603 summators are at the heart of the Energy Control System (ECS) and enable the recording and billing of both analog and digital quantities.

ECS operating software revision level: V2.57

The current operating instructions covering the latest firmware update are available for download on the internet at www.gossenmetrawatt.com.

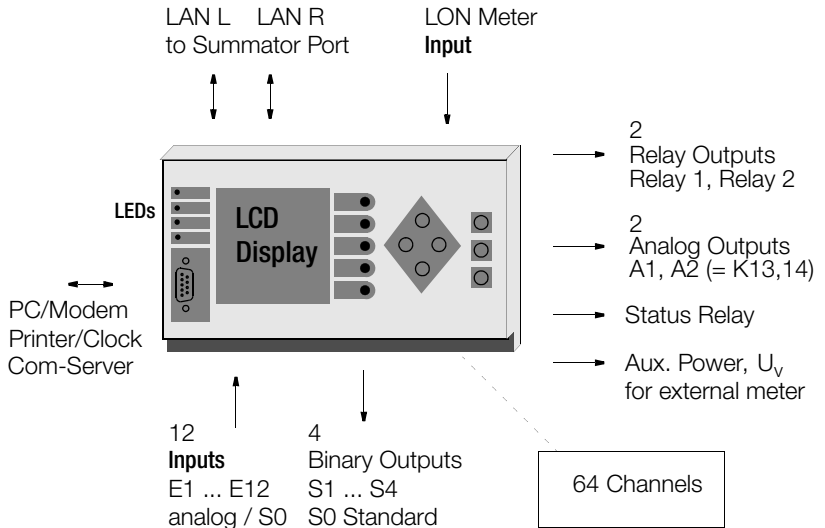
LON[®] is a registered trade mark of the Echelon Corporation.

2 System Description

- **Analog signals** from orifice plates, measuring transducers or other measuring instruments are acquired, analyzed and stored together with **meter pulses** from energy meters, flow meters and heat meters at the intelligent U1601 summator.
- Each summator can be connected to up to **12 energy meters** with pulse output. Data collected at the meter inputs are integrated and stored according to various criteria to a semiconductor memory with battery back-up.
- **64 channels** are available for the generation of sums and/or differences based upon meter values. Values from other summators which are connected to the ECS LAN can be used to generate virtual channels as well. All of the stored measurement values can be displayed at the summator.
- Stored values can be read out from the U1601 summator with a **PC**, or can be remote queried with the help of a **modem**. A **radio-controlled clock** for correct time synchronization or a **printer** for the generation of reports can be connected to the second RS232 interface.
- Several summators can be linked to one another via the **ECS LAN**, a multi-master compatible RS485 field bus, for applications which required the use of more than 12 inputs (analog/binary). The linking of up to 255 summators from 16xx series instruments via the ECS LAN allows for the establishment of a powerful energy control system, which is controlled and monitored with a PC.
- All of the instruments connected to the bus can be queried and programmed from any desired summator thanks to the **multi-master system structure**. A limit value violation at summator M can thus trigger a signal at summator N. Each bus user has access to all data and functions throughout the entire system.
- **LON** is a new type of intelligent bus concept with allows controllers, sensors and actuators to communicate with one another. In addition, up to 63 nodes can be connected to a U1601 summator via the integrated LON network.
- Two freely programmable **relays** allow for the generation of messages or the triggering of specific actions if certain criteria have been fulfilled.
- User generated programs can be installed to the summators through the use of the system-specific **programming language**, Energy Control Language (ECL). The summators can thus be adapted to **customer-specific** calculations, analyses, monitoring and optimization independent of the energy control system.
- **ECSwin PC software** for configuring parameters at the summators, and for reading in energy consumption data and displaying them in tabular and graphic form.

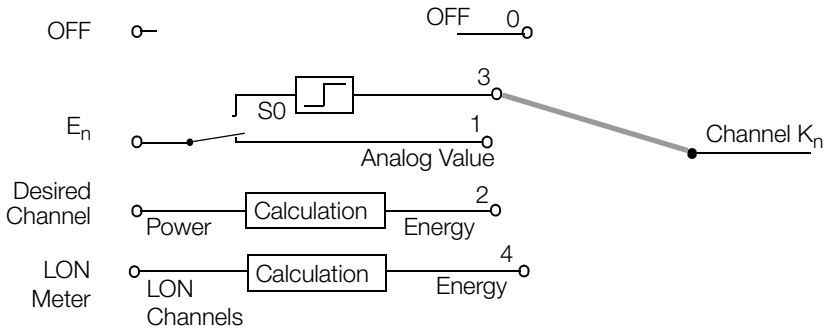
3 Instrument Description

3.1 Instrument Overview



3.2 Channels / Calculations

64 software channels are available. The input type for each channel can be selected for the basic configuration with the CMODE channel parameter (0 ... 4).



Cyclical Generation of Channel Registers

Due to the fact that many various energy data registers are made available to each channel (33 registers without maximum values: Etot, EtotT1, EtotT2, Pmom, 10+1 times Eday, 12+1 times Emon, 4+1 times Eyear), only the most important summations are performed continuously, and less important summations are performed in accordance with a rotating schedule. For example, Etot is calculated continuously, whereby Emon-12 is determined less frequently (approximately every 30 to 90 seconds). Power values, except for Pmom, are continuously calculated based upon energy values, and thus need not be summated.

Channel Names

A name can be assigned to each channel with a length of up to 8 characters. These names allow for improved channel identification during data processing, as well as for graphic representations. **System-wide** access to a given channel is also enabled through the use of such names.

```
<A> Etot Motor5
```

A system-wide search for a channel with the name "Motor5" is performed from summator A, and total energy from this channel is graphically displayed (see also ECL command: FINDER).

Channel Numbers

If inputs (E1 ... E12) are to be assigned to the channels, each input can only be assigned to the channel which bears the same number, i.e.:

Inputs E / Outputs A	Channels
E1	1
...	...
E12	12
A1	13
A2	14
	...
	64

Virtual Channels

- Any unused channel can be utilized as a virtual channel for the generation of any desired sums or differences which result from physical inputs or other virtual channels. It makes no difference which summators within the ECS LAN the channels have been assigned to!
- Unused physical channels can also be utilized as virtual channels, in which case even the maximum value registers for the corresponding physical channel are made available.
- The synchronizing-interval data logger can record data from virtual channels.

Differential Linking (ECL commands dVSUM and dVIRT)

As soon as they have been defined, incoming energy quantities (~ meter pulses) from the source channels are continuously summed and the summed energy quantities are fed to the virtual channel, "as if they had actually just been measured". The virtual channel is decoupled from the source channels and data can be manipulated as desired.

Areas of application: logical coupling of input signals (as if the corresponding input signals had been switched together to a single channel).

Example 1:

Channel 26 at summator D generates a cost center based upon channels 1 ... 5+8 from summator B weighted with a factor of 0.7, and channel 4 from summator C weighted with a factor of 0.3

```
H1='B:dVSUM 1..5+8 0.7, C:dVSUM 4 0.3, D:dVIRT 26='
```

Example 2:

Channel 10 is the difference between 1 ... 8 and total-sum channel 9 (sum of 1 ... 8 minus channel 9):

```
H2='dVSUM 1..8, dVSUM 9 -1, dVIRT 10='
```

Channel Parameters (chapter 6.4, page 33)

Numbers Range

In order to ensure greatest possible accuracy, all internal calculation operations are performed with 64 bit floating decimal point numbers. This means that 15 (!) significant decimal places are possible.

Switching the Channel Display On and Off

The On/Off function only determines whether or not a channel is visible while browsing through channel data at the display, or during read-out with '*' (ECL command: ONOFF). The function of the channel remains otherwise entirely unaffected.

Channel Start/Stop

The Start/Stop function is used to determine whether or not meter pulses are to be accepted at a given input (ECL command: STARTSTOP).

- A virtual channel which has been generated by means of “differential linking” can be influenced with the Start/Stop function in an analog fashion.
- Since the binary input status of a channel is not influenced, this function can be used, for example, to avoid taking undesired binary data into consideration.

Energy Metering

Meter pulses filtered out in this fashion are integrated, per channel, into a temporary meter. The meter values are converted into their corresponding energy values every 1 to 2 seconds, and are added to total energy registers. Pulses are converted to energy values by means of the following formula:

Energy Calculation

$$\text{Energy[kWh]} = \frac{\text{Pulses[Imp]}}{\text{MeterConstant} \left[\frac{\text{Imp}}{\text{kWh}} \right]} \times U_{\text{ratio}} \times I_{\text{ratio}} \times \text{KFactor}$$

where:

$$U_{\text{ratio}} = \frac{U_{\text{primary}}}{U_{\text{secondary}}} \qquad I_{\text{ratio}} = \frac{I_{\text{primary}}}{I_{\text{secondary}}}$$

Power Calculation

Instantaneous power, PMOM, is determined based upon the interval between the incoming pulses. All other power values are calculated from the corresponding energy value, taking the corresponding time interval into consideration.

The calculation of power assumes the assignment of an energy unit of measure **per hour** (kWh). The power factor must be adapted accordingly for other units of measure (e.g. liters per minute) (ECL command: PFACTOR). The default value is 3600, and it would be 60 for the “liters per minute” example.

Formula for the calculation of power based upon energy E and duration dt:

$$P = E * Pfactor / dt$$

Only sensors which have been connected via the LON network are capable of transmitting already calculated power and energy values to the summatoms.

3.3 Inputs E1 ... E12 and E1 ... E6 respectively (analog / binary)

Analog Inputs

For summator U1601 12 optically isolated analog inputs are available, E1 ... E12, for summator U1603 6 optically isolated analog inputs are available, E1 ... E6. These can be configured as voltage, current or binary inputs. See page 50 and page 33 for DIP switch settings and appropriate software settings.

One metering channel, 1 ... 12, can be assigned to each of the inputs, E1 ... E12, one metering channel, 1 ... 6, can be assigned to each of the inputs, E1 ... E6.

The applied analog input value may correspond to a measured power quantity.

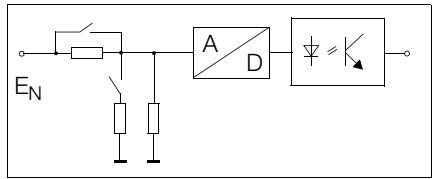
The input ranges (20 mA, 5 mA, 10 V, S0) must be pre-selected with the DIP switches, as well as the I/O RANGE parameter. Energy is matched to the various ranges, and calculated and recorded as a channel quantity with the configurable ANAFAKTOR and ANAOFFSET parameters.

Binary Meter Inputs

The 12 analog inputs, E1 ... E12, of summator U1601, and the 6 analog inputs, E1 ... E6, of summator U1603 respectively, can also be used as binary inputs (in accordance with the S0 standard).

Configuration is accomplished by means of DIP switches and software (see page 50 and page 33).

A binary input recognizes two different levels, high level "1" and low level "0" (max. low level adjustable with ECL command: LEVEL). Thus switching back and forth between tariffs T1 and T2 can be performed with input 12. The synchronization pulse from the electric utility can also be connected, for example, to input 11. Status can be queried via software with the ECL command INPUT.



Debouncing Time and Trigger Edge

Debouncing time and the trigger edge can be configured individually for each of the maximal 12 channels. Sampling time for all maximal 12 channels amounts to 5 ms.

- Debouncing time is adjustable from 10 ms to 2.55 s in 10 ms steps, ECL command: PULSE
- High level trigger flank (1): Triggering occurs for change from low level to high level, ECL command: EDGE
- Low level trigger edge (0): Triggering occurs for change from high level to low level.

If an input is used as a binary input, the selected debouncing time applies to this operating mode as well. For example, if debouncing time has been set to 1 s, only those signals are processed which remain stable at either high or low level for at least 1 second. Only debounced signals appear at the input status display at the control panel as well.

3.4 Analog Outputs A1 and A2

Two configurable analog outputs can be driven with the ECL command ANA. The output quantity (20 mA or 10 V range) must be selected with the DIP switches and the I/O RANGE parameter (see page 50 and page 37).

Input channels can be recorded, scaled and read out continuously as transduced quantities with the help of a background program (see also ECL command: ANA 13, ANA14).

3.5 S0 Outputs S1 through S4


Just like the relay outputs, four freely programmable S0 outputs allow for the forwarding of messages when certain conditions have been fulfilled. Selectable voltage is limited to 50 V. Additionally, these outputs can be used as floating pulse outputs for the transmission of meter readings to remote locations with the help of ECL background programs (see ECL command: S0REL 1 ... 4).

3.6 Relay Outputs

Two freely programmable relays (changeover contacts) allow for the generation of a message or the triggering of an action, if certain criteria have been fulfilled. For example, a relay output can be activated if the mean power value within the synchronization interval exceeds a certain value. The current relay status is displayed at the LCD under summator status. A ? indicates that the contact is closed and active. Please observe the characteristic values in the appendix.

Relay Names

A channel name can be assigned to each of the relays and may have a length of up to 8 characters. This name allows for improved relay identification during data processing, as well as for graphic representations. **System-wide** access to a given relay is also enabled through the use of such names:



<A> REL Horn=1

A system wide search for a relay with the name “Horn” is performed from summator A, and this relay is activated (see also ECL command: FINDER).

3.7 Self Test

As long as the electronics are functional and no system error has been detected, the status LED and the status relay are on. If the instrument electronics malfunction, the relay is released and the LED goes out. A horn which can be driven with the status relay’s break contact can be used to indicate a malfunction.

The current relay status is displayed in the status window (see chapter 5.8, page 26). Functional testing can be expanded by means of appropriate programming (ECL command: STATCHECK, see detailed information in online help: ? STATCHECK). For example, the output can be deactivated (error condition) as soon as the 24 V power supply drops to below 16 V, or if the condition of the lithium battery no longer allows for reliable data storage.

3.8 RS232 Interface

Communications with a host computer (PC), a terminal, a modem or a printer is made possible via the RS232 serial interface.

Access to All Measurement Data

A PC which has been connected to the RS232 interface has full access to all stored system measurement values. **ECSwin** parameters configuring software, which runs on the PC, manages all ECS data and allows for tabular data analysis.

Port Configuration

The RS232 port is configured in the DTE format (data terminal equipment), and signals are conducted by a 9-pin D-SUB plug. The DTE configuration is compatible with standard PC and terminal configurations. Wiring of the connector cable is described in chapter 7.3, page 50.

3.9 ECS LAN

Several summators can be linked to one another via a multi-master compatible RS485 field bus (ECS LAN) for applications which require the use of more than 64 channels. The connection can be established by means of a 2-wire cable using either bus or a line topology. The maximum length per segment is 1200 meters. Distances of several kilometers between 2 summators can be accommodated with fiber optic transmission and 4-wire technology.

A maximum of 255 summators can be connected to the ECS LAN. This means that a maximum distance of approximately 300 km can be covered without additional boosters.

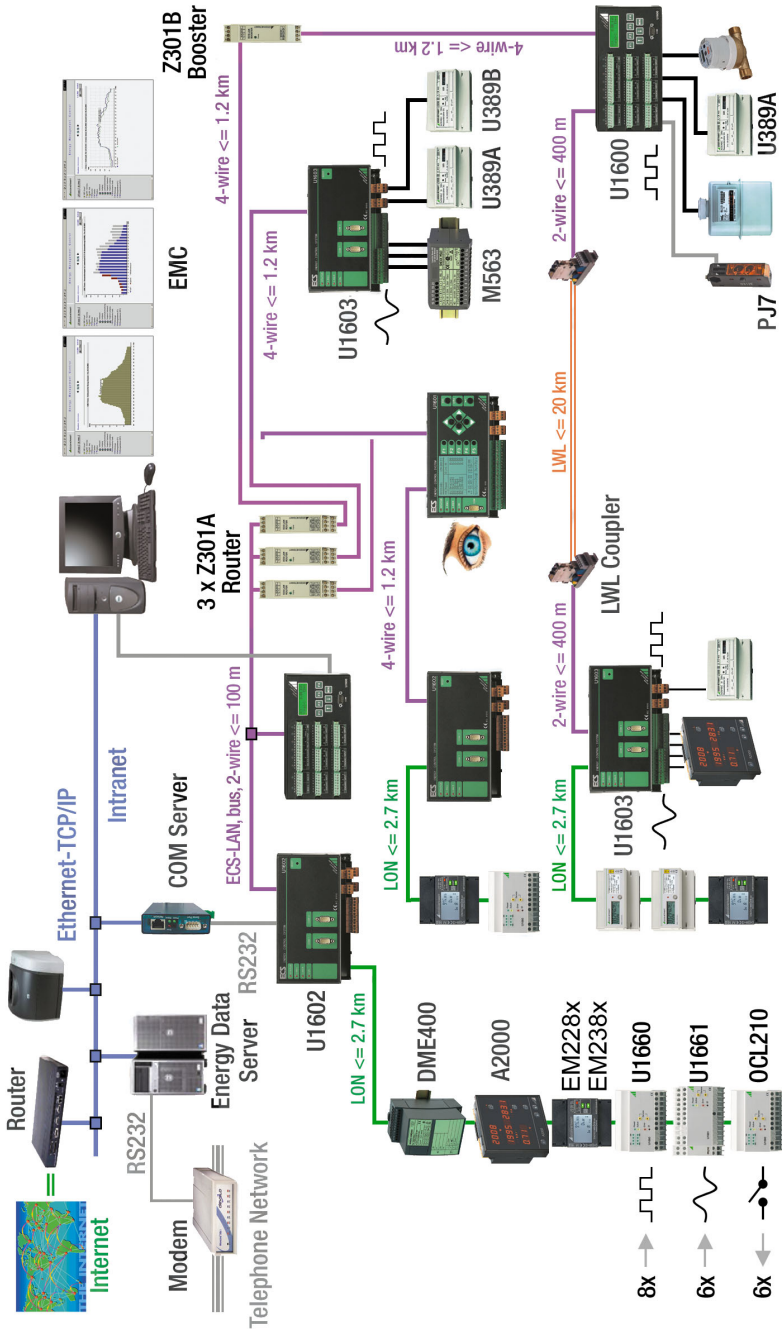
Multi-Master System Architecture

The most significant advantage of the multi-master system architecture is the fact that each of the bus users has full access to all of the data and functions encompassed by the overall system. It is thus unnecessary to assign the designation of bus master a single summator.

General Notes Concerning the ECS LAN

- The **connector technology** for the individual LAN segments can be freely selected and combined.
- The longest cable length is determined by the **transmission speed** in accordance with RS485. The ECS LAN normally runs at 62.5 KBaud, which corresponds to a maximum cable length of 1.2 km, (see also chapter 6.7, page 39).
- The transmission cable must be terminated at both ends (and only at the ends) with **matching resistors**. The matching resistors are integrated and can be switched on or off at the control panel. Correct functioning of the 2-wire connection can only be secured through the use of these integrated matching resistors. No external resistors may be used!
- The **loop resistance** of the transmission cable may not exceed 100 Ohms in 2-wire operation.
- Up to **16 summators** can be connected to a single bus segment. If the matching resistors have been correctly installed (see above), if spur line lengths have been minimized and if the overall loop resistance of the transmission cable is less than 100 Ohms, up to 32 summators can be operated within a single segment.
- **User statistics** can be queried via the control panel (instrument status).

ECS LAN, Sample Network



Bus Left, Bus Right

Each summator is equipped with 2 complete ECS LAN interfaces. They are designated as LAN L and LAN R. Each of these interfaces can be operated with either 2-wire or 4-wire transmission technology (RS485).

2-Wire

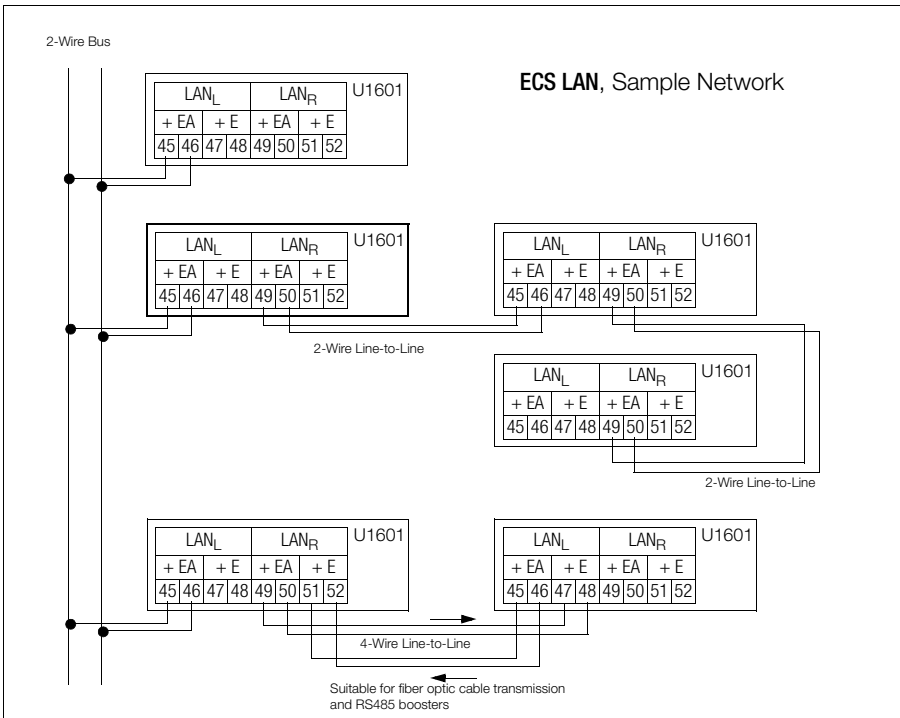
A bus system, by means of which several summators are connected to the same bus cable, must be laid out with 2-wire technology.

4-Wire

4-wire technology is used where unusually long transmission paths are involved, or when boosters need to be integrated into the system. In such cases only line-to-line connection is possible.

Cable Lengths (LAN Bus)

If several summators (up to 16) are to be installed in close proximity to one another (overall maximum bus cable length of 100 m), a bus connection making use of a twisted, two conductor cable is recommended. A line-to-line connection with a twisted four conductor cable is not necessary until the distance between 2 summators is greater than 400 m (max. 1200 m).



ECS-LAN Terminal Assignments

User Directory

Directory of ECS LAN Users

Each summator automatically generates an internal directory (ECL command: DIR) of all users connected to the ECS LAN (assuming that unique identification has been assigned throughout the entire system). Each summator acknowledges its presence to

the entire system every 3 seconds with a so-called broadcast message, and all receiving summators update their internal directories accordingly. If no message is broadcast for a period of greater than 20 seconds, the summator in question is deleted from the internal directories of the other summators.

Unique Identification

Each summator within the ECS LAN must be assigned its own **unique** summator identification. Up to 255 different, freely selectable identifications can be created. The following format is used: A, A1 .. A9, B, B1 .. B9, .. , Z, Z1 .. Z4

System-Wide Access to Measurement Data

Example: Total energy from channel 1 at summator **D1** is to be queried from summator **A**:

`<A> D1:Etot 1`

3.10 LAN LED (LANL/LANR)

One LED each for bus left and bus right indicates correct operation of the ECS LAN:

- If no ECS LAN users have been connected, the LED does not light up.
- If one or more users are connected to the corresponding bus segment, the LED lights up.
- If two or more users have the same identification, the LAN LEDs which represent the users with identical identification blink. Exception: If the summators with identical identification are connected to the same LAN segment, no decisive error message occurs. For this reason, the number of summators should always be compared with the total number indicated in the user statistics (control panel, instrument status) during instrument installation.
- If the internal matching resistor has not been switched on during bus operation, the corresponding LAN LED blinks.

3.11 LON Connection

LON is a relatively new type of intelligent bus concept which allows control units, sensors and actuators to communicate with one another. Rapid, cost-effective wiring is achieved by means of intelligent decentralization. Each node (user) is equipped with a neuron chip, and can communicate with all of the other nodes via the LON-Talk protocol. Data transmission is accomplished with a standardized, twisted, potential-free two conductor cable, which can be wired either in bus, ring or star configuration (freely selectable topology!). The electrically isolating FTT10 transceiver used to this end is protected against polarity reversal and transmits data at a speed of 78 kb per second. Thus up to 63 additional nodes can be connected to a U1601 summator via the integrated LON network. During the first phase of completion, bus users include LON compatible bus meters, as well as input/output modules, gas or water meters etc. at later stages.

Energy values from the LON meters can be freely assigned to channels K1 ... K64 by means of differential linking.

3.12 LON LED

LON LED off	All LON channels deactivated (page 33)
Blinking LON LED	Error in communication with LON users
LON LED on	LON bus OK

4 Measurement Data

4.1 Overview of Available Measurement Data

The following measurement data are available for each meter input and virtual channel:

Energy Values (cumulative as of a defined starting point)

Etot	Total energy, independent of tariff
EtotT1	Total energy for tariff T1
EtotT2	Total energy for tariff T2
EtotT1+T2	Total energy for tariffs T1 plus T2

Energy Values (cumulative for defined time periods)

Elnt	EInt-1	...	EInt-xx	Cumulative energy for the current, and the last xx* intervals (data logger)
Eday	Eday-1	...	Eday-10	Cumulative energy for the current, and the last 10 days
Emon	EMon-1	...	EMon-12	Cumulative energy for the current, and the last 12 months
Eyear	Eyear-1	...	Eyear-4	Cumulative energy for the current, and the last 4 years

* Interval value depending upon memory depth

Maximum Values from Synchronization-Interval Measurement Data (with date and time)

EMax	EMax-1	...	EMax-xx	The xx* highest values
EMaxDay	EMaxDay-1	...	EMaxDay-10	Maximum energy value for the current, and the last 10 days
EMaxMon	EMaxMon-1	...	EMaxMon-12	Maximum energy value for the current, and the last 12 months
EMaxYear	EMaxYear-1	...	EMaxYear-4	Maximum energy value for the current, and the last 4 years

Costs (cumulative as of a defined starting point)

CostT1	Costs for tariff T1
CostT2	Costs for tariff T2
CostT1+T2	Costs for tariffs T1 plus T2

Power Values (mean values for defined time periods)

Pmom				Instantaneous power between the last 2 meter pulses
Plnt	Plnt-1	...	Plnt-xx	Power for the current, and the last xx* intervals (data logger)
PDay	PDay-1	...	PDay-10	Mean power value for the current, and the last 10 days

PMon	PMon-1	...	PMon-12	Mean power value for the current, and the last 12 months
Pyear	Pyear-1	...	Pyear-4	Mean power value for the current, and the last 4 years

Maximum Values from Synchronization-Interval Measurement Data (with date and time)

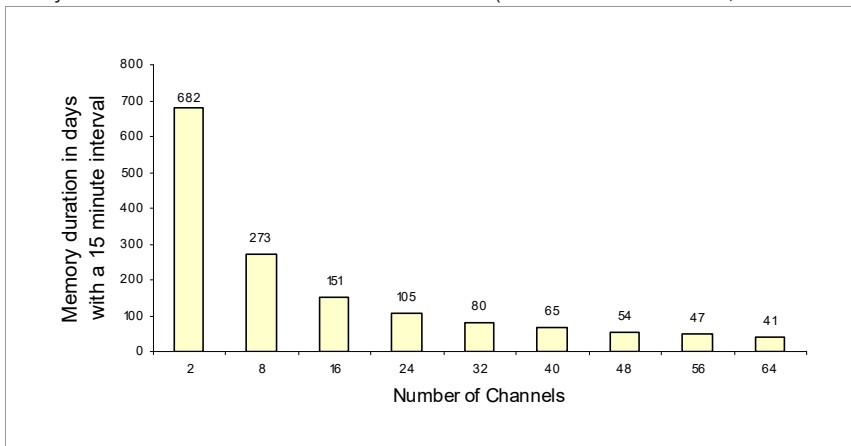
PMax	PMax-1	...	PMax-10	10 highest values from all meas. intervals
PMaxDay	PMaxDay-1		PMaxDay-10	Maximum power value for the current, and the last 10 days
PMaxMon	PMaxMon-1	...	PMaxMon-12	Maximum power value for the current, and the last 12 months
PMaxYear	PMaxYear-1	...	PMaxYear-4	Maximum power value for the current, and the last 4 years

Summary of Available Measurement Data per Channel

Energy Values	Power Values	Max. Energy Values	Max. Power Values	Costs
Etot	Pmom			
EtotT1				CostT1
EtotT2				CostT2
EtotT1T2				CostT1T2
Eint	Pint	Emax	Pmax	
Eday	PDay	EmaxDay	PMaxDay	
EMon	PMon	EmaxMon	PmaxMon	
Eyear	Pyear	EmaxYear	PmaxYear	

Relationship between Memory Duration and Number of Channels

for Synchronization-Interval Measurement Data (measurement data list, format: 0 ... 3):



Memory Duration as a Function of Number of Channels I

Number of Channels	Number of Records	Memory Duration in Days with a 15 minute interval
2	65535	682
8	26214	273
16	14563	151
24	10082	105
32	7710	80
40	6241	65
48	5242	54
56	4519	47
64	3971	41

4.2 Synchronizing-Interval Data Logger

The energy values which have been measured during a given interval can be stored to a data logger. This interval (duration: 10 s .. 999 hr., default: 15 minutes) is either derived from system time, or the interval limit is determined with a trigger pulse slope (default: channel 11). Energy measured during this interval (EINT) is entered into a list along with the time and the date. The mean power value occurring within the interval (PINT) is calculated based upon EINT and the duration of the corresponding interval.

Formatting the Data Logger



Attention!

The contents of the data logger are deleted during formatting.

The number of records in the data logger depends upon the number of channels. Thus the data logger can be formatted in accordance with the desired number of channels. Formatting can only be performed with an interpreter. Data area resolution is also defined simultaneously (ECL command: FORMAT).

Defining the Number of Records

The format command reserves adequate space for the selected number of channels in system memory. The greatest possible number of records is thus determined, but not memory duration which is solely dependent upon the duration of the interval. Example: Only channels 1 ... 4, channel 17 and channels 21 .. 23 are to be recorded to the data logger.

```
<A> FORMAT=1..4+17+21..23
```

If the format command is called up without parameters, status information is read out to the data logger. Most importantly, the number of records which can be entered to the data logger is shown here.

```
<A> FORMAT = 1...4 + 17 + 21 ... 23
```

```
<A> format
```

```
Format(0): 8 channels, 26214 records (= 273 days, with a 15 min. interval)
```

```
Channels: 1;2;3;4;17;21;22;23
```


Reading Out the Data Logger

Data stored to the data logger can be read out together with time and date either directly at the instrument's control panel or via the serial interface with the ECL command EINT. The following example shows a read-out of all measurement data for channels 1 through 5 in ASCII format:

```
<A> Eint/## 1..5 * **  
16.04.93;17:45:00;1;0.5;0.75;0.99;1.36  
16.04.93;18:00:00;1.01;0.1;0.76;0.80;0.83  
16.04.93;18:15:00;0.99;0.48;0.75;1.02;1.28  
:  
:
```

Querying a Specific Record

Data for a specific date can be read out with the ECL command INDEX. The example below shows the value from the data logger for channel 1 on 16 April 1993 at 6:15 p.m. (in clear text):

```
<A> Index 16.04.93 18h15, Eint/ 1 .  
16.04.93 18:15:00 : Eint-863 (01:Motor7) = 0.99 kWh
```

Data Logger Memory Structure

The data logger is a ring buffer of fixed size which is formatted accordingly. Access is made with an index number. Index 0 always refers to the current interval, index 1 to the last interval and index 2 to the interval before the last etc. The ECL command INDEX transforms a time entry into the corresponding index number.

Ring Buffer

When memory capacity has been used up, the oldest record (the record with the highest index number) is deleted to make room for the newest record. The interval which has just been completed is thus assigned index number 1, and the index numbers for all previous records is increased by 1.

Range of Values for the Data Logger

Limitation of Resolution to Reduce Data Volume

All data registers at the summator are internally 8 bytes wide (64 bit floating point). However, where the data list is concerned (as of Eint-1), for which overall memory duration is directly dependent upon available memory capacity, a format with a width of 2 bytes must be used (which results in a loss of accuracy). Since only energy values are stored to memory (and no power values since these are calculated), standard "O" formatting results in the following limitation of the range for values:

Range of Values	Resolution
-0.8191 ... 0 ... +0.8191	Resolution: 0.0001
-81.91 ... -0.82, +0.82 ... +81.91	Resolution: 0.01
-8191 ... -82, +82 ... +8191	Resolution: 1.0
-819100 ... -8200, +8200 ... +819100	Resolution: 100

5 Operation (menu displays)

The U1602 micro-sumimator and the U1603 mini-sumimator are not equipped with any display or operating elements. Communications and parameters configuring are accomplished with ECSwin software. The display which appears in the control panel mode is identical to the operating menus provided with the U1601 summator.

Extreme caution must be exercised when changing the parameters for the COM1 and COM2 serial ports.

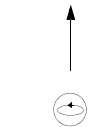
If the settings are changed, no communication takes place between the PC and the summator. Only one port should be changed at any given time, so that the summator can still be controlled with the other. COM2 must be set to ECL or ECL+HP.

5.1 Menu: Overview (main menu display)

Main Menu Display

Menu	TOT. ENERGY	F1
OVERVIEW	INTERVAL ENERGY	F2
	ANALOG IN/OUTPUTS	F3
SETUP: press ◀ > 1s	APPLICATIONS	F4
	STATUS DISPLAYS	F5

From Channel Display



Menu Displays 1 ... 5

Displays total energy, power, costs (menu 1)

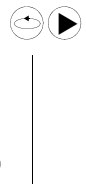
Displays interval energy (menu 2)

Displays interval energy max. values (menu 3)

Displays analog inputs and outputs (menu 4)

Select and start programs

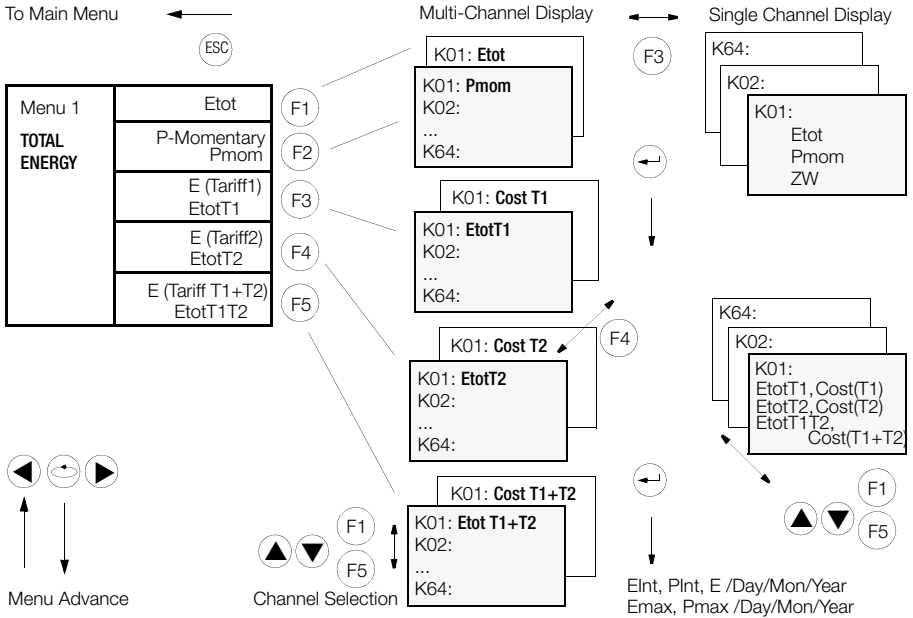
Status display (menu 5)



The following applies in general to the sub-menu displays:

Use the ▲ ▼ keys to advance 1 channel and the F1 F5 keys to advance 10 channels.

5.2 Menu 1: Display Total Energy, Power and Costs



- Multi-Channel Display (all channels with only 1 measurement value)

K#	Name	Pmom
01	Motor-01	80.7
02	Area-16	22.2
03	Cooler1	3456788.2
04	Z1422152	3422654.1
05	Sun 9-20	24.6
06	Room 25	180.3
07	Room 27	21365.9
08	Hall 33	234546.3
09	House 31	21.7
10	Hall 22	2356.4

K#	Name	Pmom
01	80.7321	kWh
02	22.2475	kVarh
03	3456788.2458	Wh
04	3422654.1698	Wh
05	24.6587	MWh
06	180.3470	MWh
07	21365.9487	kWh
08	234546.3414	kWh
09	21.7774	kWh
10	2356.4444	kWh

K#	Name	Pmom
01	23.12.08	10:27:00
02	23.12.08	10:28:10
03	23.12.08	10:16:33
04	23.12.08	11:45:00
05	23.12.08	10:27:00
06	23.12.08	10:27:00
07	23.12.08	10:27:00
08	23.12.08	10:27:00
09	23.12.08	10:27:00
10	23.12.08	10:27:00

Channel selection same as above

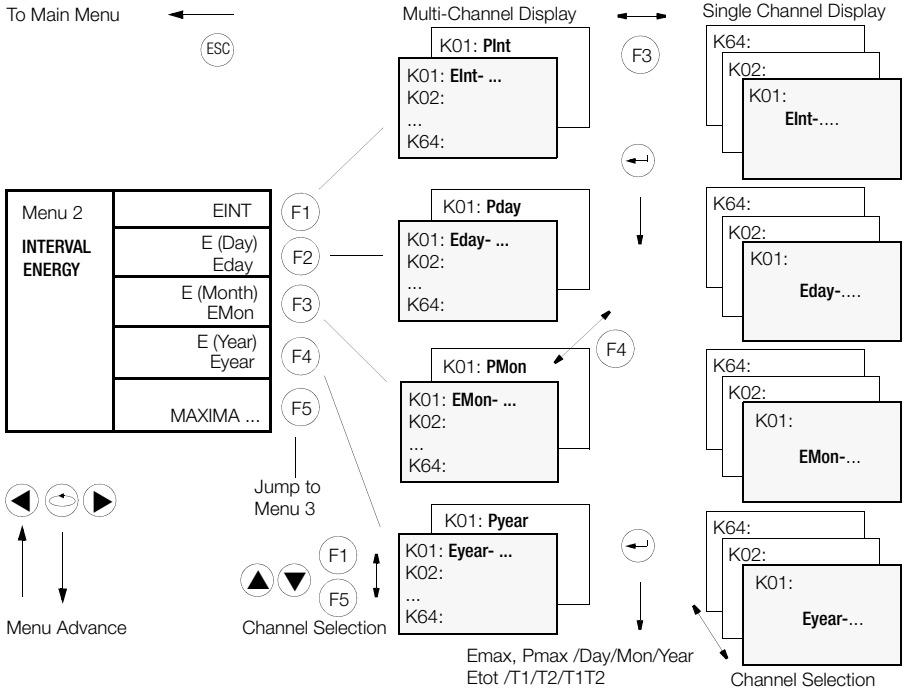
- Single Channel Display (1 channel with all measurement values)

Channel 01	01 Motor01	LON	Channel Mode
Etot	80.7321 kWh		
Pmom	10.7221 kW		
ZW	102376.84 kWh		
Channel 01 Long Name	AsynchronMotorNo.1		

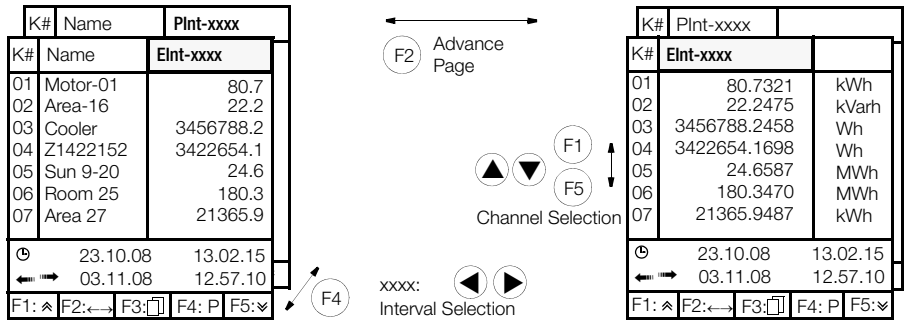
Additional Meas. Values

EtotT1, CostT1
EtotT2, CostT2
EtotT1T2, CostT1+T2
Elnt, Plnt, E /Day/Mon/Year
Emax, Pmax /Day/Mon/Year

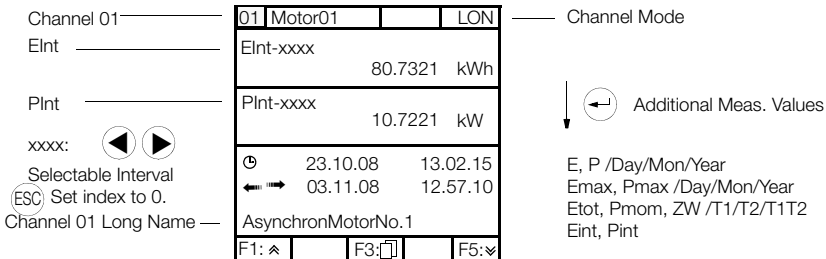
5.3 Menu 2: Display Interval Energy



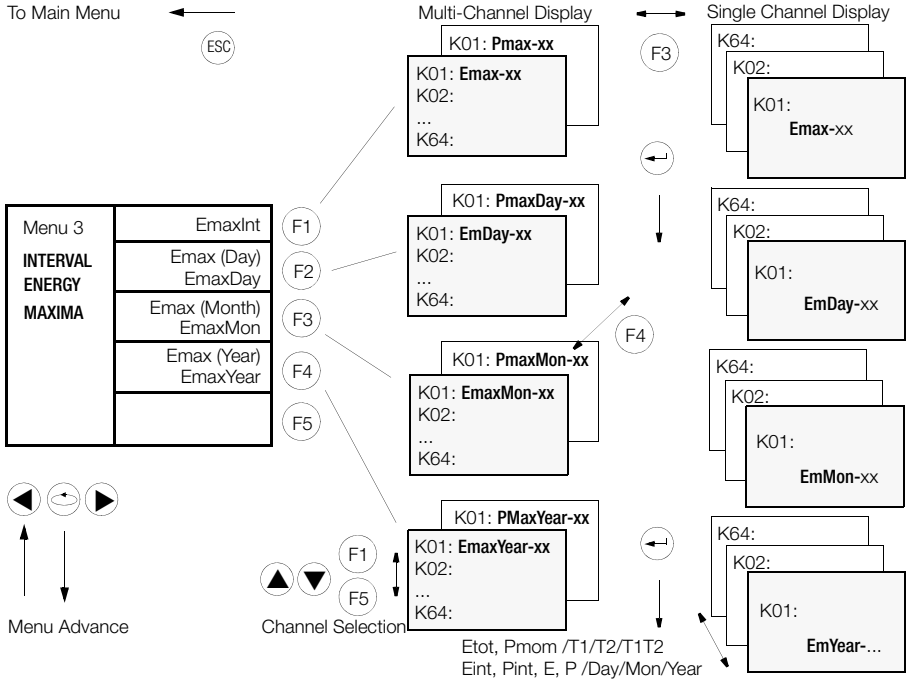
• Multi-Channel Display



• Single Channel Display



5.4 Menu 3: Display Maximum Values for Interval Energy



• Multi-Channel Display

F2 → F4 ↗

K#	Name	Pmax-xx
K#	Name	Emax-xx
01	Motor-01	80.7
02	Area-16	22.2
03	Cooler1	3456788.2
04	Z1422152	3422654.1
05	Sun 9-20	24.6
06	Room 25	180.3
07	Room 27	21365.9
08	Hall 33	234546.3
09	House 31	21.7
10	Hall 22	2356.4

F1: ⏴ F2: ⏴ F3: □ F4: P F5: ⏴

K#	Name	Pmax-xx
K#	Emax-xx	
01	80.7321	kWh
02	22.2475	kVarh
03	3456788.2458	Wh
04	3422654.1698	Wh
05	24.6587	MWh
06	180.3470	MWh
07	21365.9487	kWh
08	234546.3414	kWh
09	21.7774	kWh
10	2356.4444	kWh

F1: ⏴ F2: ⏴ F3: □ F4: P F5: ⏴

K#	Name	Pmax-xx
K#	Emax-xx	Time From
01	23.12.08	10:27:00
02	23.12.08	10:28:10
03	23.12.08	10:16:33
04	23.12.08	11:45:00
05	23.12.08	10:27:00
06	23.12.08	10:27:00
07	23.12.08	10:27:00
08	23.12.08	10:27:00
09	23.12.08	10:27:00
10	23.12.08	10:27:00

F1: ⏴ F2: ⏴ F3: □ F4: P F5: ⏴

Channel selection same as above

• Single Channel Display

Channel 01 — Channel Mode

01	Motor01		LON
Emax-xx			
21.32 kWh			
Pmax-xx			
1279.260 kW			
⌚	23.10.08	13.02.15	
⏴	03.11.08	12.57.10	
AsynchronMotorNo.1			

Channel Mode

Additional Meas. Values

ESC Set index to 0.

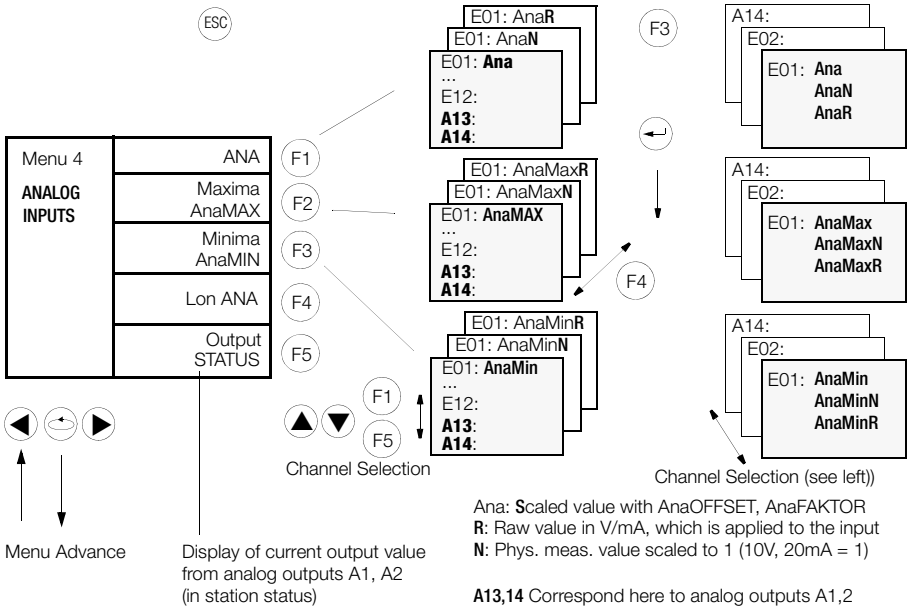
xx: ⏴ ⏴
for Selection of
Maximum 0 ... 10

F1: ⏴ F3: □ F5: ⏴

Emax, Pmax /Day/Mon/Year
Etot, Pmom, ZW /T1/T2/T1T2
Cost /T1/T2/T1T2
Eint, Pint
E, P /Day/Mon/Year

5.5 Menu 4: Display Analog Inputs and Outputs

To Main Menu ←



• Multi-Channel Display

K#	Ana	Unit
E01	2356.44	kW
E02	22.24	kW
E03	3456788.24	kW
E04	3422654.16	kW
E05	24.65	kW
E06	180.34	kW
E07	21365.94	kW
E08	234546.34	kW
E09	21.77	kW
E10	80.73	kW

K#	AnaN	Unit
E01	0.235	
E02	0.222	
E03	0.345	
E04	0.342	
E05	0.024	
E06	0.180	
E07	0.213	
E08	0.234	
E09	0.217	
E10	0.403	

K#	AnaR	Unit
E01	2.35	V
E02	2.22	V
E03	3.45	V
E04	3.42	V
E05	0.24	V
E06	1.80	V
E07	2.13	V
E08	2.34	V
E09	2.17	V
E10	8.07	mA

F1: ⤴ F2: ⤵ F3: □ F4: N F5: ⤵

F1: ⤴ F2: ⤵ F3: □ F4: R F5: ⤵

F1: ⤴ F2: ⤵ F3: □ F4: S F5: ⤵

Channel selection same as above

K#	Name	LonANA
11	C21	22.8
12	Vorlauf1	73.4

F1: ⤴ F2: ↔ F3: □ F5: ⤵

• Single Channel Display

11	C21	LonA
LonANA		22.8 °C
01	Motor01	LON
Ana		2356.44 kW
AnaN		0.235
AnaR		2.35 V
☾		23.10.08 13.02.15
Asynchronous motor No. 1		
F1: ⤴	F3: □	F5: ⤵

Channel 01 —————

Ana —————

AnaN —————

AnaR —————

Channel Mode

Additional Values

AnaMax, AnaMaxN, AnaMaxR
AnaMin, AnaMinN, AnaMinR

5.6 In-Service Function

An error bit is used in order to inform the analysis software that a channel is not reading out valid data because, for example, it is currently being calibrated (ErrChan 24: inservice). The in-service function is activated by configuring the in-service feature:

Example: `INSERVICE FEATURE = 3`

This function is only active per channel in mode 4=LON.

In-Service	Explanation
0	In-service not available (default setting)
1	In-service available
3	Same as 1, but direct jumping from the individual basic display to SETUP CHANNEL menu 4 is also possible by pressing the F4 key
5	Same as 1, but in-service can only be activated for one channel
7	Same as 3, but in-service can only be activated for one channel

In-service can be configured with CHANNEL DATA under SETUP in menu 4:
InService OFF / InService ON / ALL OFF

In-service activation is indicated in the individual basic display.

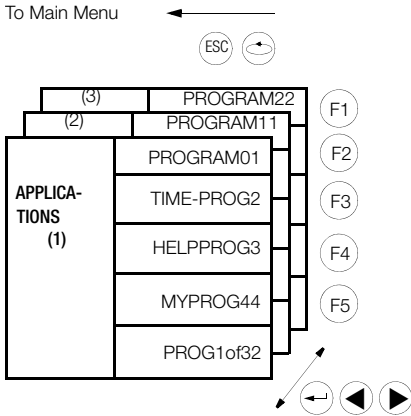
Z1: U1601Hebl 12:32:10	
-SETUP CHANNEL Menu 4	MODE:LON-ANA
	INSERVICE ON ¹⁾
Channel 21	
Select Channel ↑ ↓	PULSE TIME 50 ms
	TRIGGER EDGE 1: _ --

Z1: U1601Hebl 12:32:10	
21:U1661.1 ; !LonA	
ETot	15.615 kW
Pmom	0.014 kW
<<<<In-Service ON >>>>	
Cold Water T4	

The *ERIS enumeration is used specifically with the in-service function.
Example: All, Channel& *eris reads out all channels with the in-service status.

¹⁾ is only shown when function InService is activated.

5.7 Menu: Display Applications

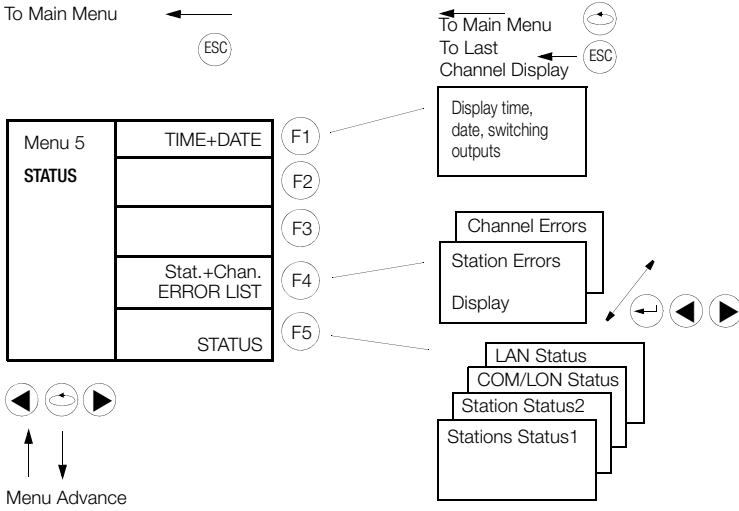


15 programs can be entered here which have been created with the ECL interpreter and have been uploaded to the summator via the data interface.

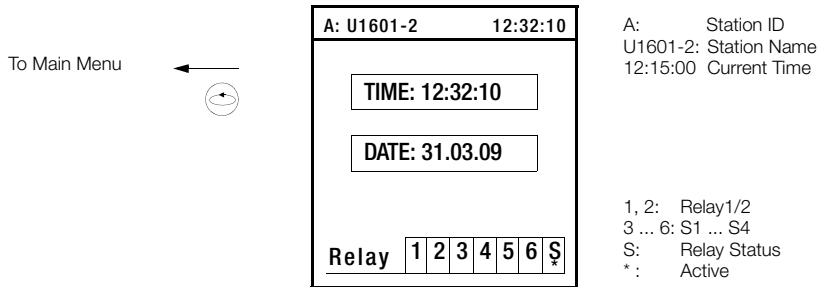
These are 15 of 32 possible P programs which are capable of performing single operations by pressing a key, but which cannot execute cyclical tasks, for example:

- Perform calculations (weighting for energy values)
- Read out specific energy channels via the data interface

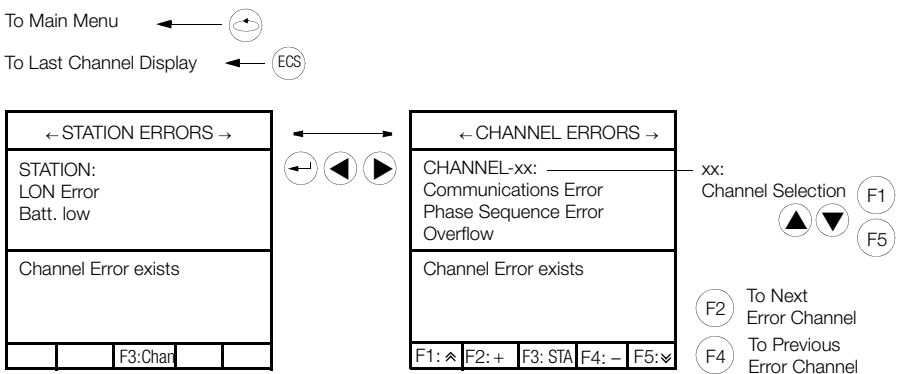
5.8 Menu 5: Display Status Menu (time, relays, errors, interfaces)



• Display Time, Date and Relays



• Display Station / Channel Errors (see error table)



• Status Displays

← STATION STATUS →	
ECSYS V2.52 / 23.03.09	
RAM	: 1 MB
BATTERY	: low
24V	: OK
AnaR A1	: -18.45 mA
AnaR A2	: 12.20 mA
!STAT/CHAN ERROR (F4)!	
Relay	1 2 3 4 5 6 S

Operating system, version, date created
 Summator memory capacity
 Battery charge level
 24V supply power U_V for external switching contacts
 Instantaneous values for analog outputs A1, A2
 Channel or station error has occurred (display with F4)
 Relay and S0 output switching status:
 1,2: Relay 1/2
 3 ... 6: S1 ... S4
 S: Relay status
 (* = active)



← STATION STATUS →	
INTERVAL : 1m	
I-SOURCE : Time	
FORMAT : 32 Channel	
TARIFF : T1	
T-SOURCE: PROG	
Max.L-LEVEL: 10% (0)	
E1-E12	1 5 9

Selected energy interval time: 1 minute
 The internal clock is used as the interval source
 Number of channels from which interval values, Eint, are to be generated (see FORMAT commands)
 Currently selected tariff
 Tariff source is an H program which switches among the tariffs.
 Maximum low level for inputs E1 ... E12, when they are used as S0 inputs
 Level for inputs E1 ... E12: _low, ^high



← COM-STATUS →	
COM-1	: ECL
Baud	: 9600
Parity	: Off
H/S	: Xon/Xoff
COM-2	: ECL+HP
Baud	: 115200
Parity	: Off
H/S	: Xon/Xoff
LON: 1 Nodes ! Error !	

ECL operation
 Selected baud rate
 No parity
 Handshake mode
 ECL operation and read-out via background programs is possible via COM2.

← LAN-STATUS →	
LAN-L	
Baud	: 62K5
Mode	: 2 D
Users	: 10 (10)
LAN-R	
Baud	: 62K5
Mode	: 4 D
Users	: 5 (1)
Total users: 16	

Selected baud rate
 2-wire connection (Bus)
 Number of users: 10 total, of which (10) are direct
 Selected baud rate
 4-wire connection (point-to-point)
 Number of users: 5 total, of which (1) is direct
 16 users are present at the LAN L/R (including this station)

← LON-STATUS →	
1 node ERROR	
Termination: 50 Ohm	

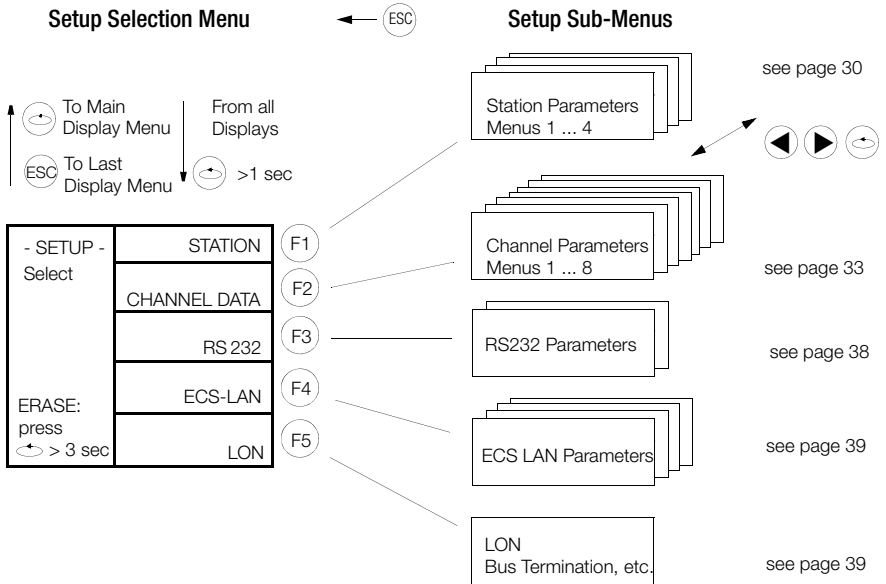
On meter (node) has been found at the LON bus.

6 Basic Configuration

6.1 Setup Parameters Overview

STATION	CHANNEL DATA	RS232	ECS LAN	LON
<p>Time / Date Station Name Station ID Interval Interval Source</p> <hr/> <p>Tariff Source Tariff Unit (EUR) Tariff Fix Point Cost Factor T1 Cost Factor T2</p> <hr/> <p>Password LCD Contrast Language Date Format</p> <hr/> <p>Relay Mode Analog Out Test S0 Level Bootstrap & Tests</p>	<p>1 ... 64</p> <p>CHANNEL: Mode (OFF, LON...) Channel Name Long Name E-Unit P-Unit</p> <hr/> <p>Chan. Visible on/off Chan. Start/Stop Fix Point C-Factor</p> <hr/> <p>Meter Const. U-Ratio I-Ratio P-Factor</p> <hr/> <p>Pulse Time Trigger Edge</p> <hr/> <p>LON CHANNEL: LON Sub-channel LON Activity Neuron ID</p> <hr/> <p>LON Factor LON Offset</p> <hr/> <p>ANALOG CHANNEL: Ana Faktor Ana Offset Ana Sign I/O Range</p> <hr/> <p>Unit Select A Unit Ana Fix Point Resolution Ana Interval (A1, A2); command: ANAINT)</p>	<p>COM1: Mode Baud rate Parity Handshake</p> <hr/> <p>COM2: Mode Baud rate Parity Handshake</p>	<p>ECS LAN, left: Mode Terminated (yes/no) Baud Rate</p> <hr/> <p>ECS LAN, right: Mode Terminated (yes/no) Baud Rate</p>	<p>Installation Subnet / node address Timing code Poll delay Bus termination</p>

6.2 Setup Selection Menu



see page 40 for DELETE menu

6.3 Station Parameters (IDs, intervals, tariffs, outputs, ...)

Sub-Menus / Parameters

From SETUP Selection

ESC

- SETUP - STATION Menu 1	TIME / DATE	F1	Set date and time
	STATION NAME BUILDING 3	F2	EDITING menu see page 40
	STATION ID A:	F3	e.g. A, A1 ... A9, Z1 ... Z4
	INTERVAL 15 m	F4	from 10 s to 999 h, here: 15 minutes
	INTERVAL SOURCE Prog	F5	Time, Prog, Channel 11

↑ ↓ ← → ↺

- SETUP - STATION Menu 2	SOURCE: Prog	F1	Prog, Channel 12
	TARIFF UNIT EUR	F2	1 to 4 characters, here: EUR
	TARIFFS T1 [x] T2 []	F3	0, 1, 2 or 3 places after the decimal for the display of energy costs
	T Fix POINT 2: 0.00	F4	0.001 ... 99999
	COSTFACT-T1 0.17	F5	0.001 ... 99999

↑ ↓ ← → ↺

- SETUP - STATION Menu 3	PASSWORD	F1	PASSWORD Menu see page 41
		F2	
	LCD CONTRAST 5	F3	-5 ... 15, default = 0
	LANGUAGE English	F4	German, English
	DATE FORMAT dd.mm.yy	F5	dd.mm.yy, mm/dd/yy, mm-dd-yy

↑ ↓ ← → ↺

- SETUP - STATION Menu 4		F1	
	RELAY/S1..S4- MODE	F2	OFF, ON, PROG
	ANALOG OUTPUT TEST	F3	Output to A1, A2: 0, 4, 20 mA or 0, 2, 5, 10 V
	S0/ LEVEL 0: 10%	F4	10, 25, 50, 70%
	BOOTSTRAP and TESTS ...	F5	BOOTSTRAP Menu see page 42

(1 Password must first be entered)

Time / Date

After the time has been entered to the first line, the cursor jumps to the date line. Entries have an immediate effect on the integrated real-time clock, and for this reason entry cannot be interrupted. ECL command: TIME/DATE

Station Name

The station name must have a length of between 1 and 8 characters. If no name is entered, the name “-” is automatically assigned to the station. The following characters can be used: _ + - 0 ... 9 A ... Z a ... z. ECL command: STATION

Station ID

Each station within the ECS LAN must have its own unique ID. The same ID may not be used more than once. Up to 255 IDs can be assigned. The ID has a maximum length of 2 characters. If a blank is entered into the character string, the string is truncated as of the blank when the entry is acknowledged with F4. IDs have the following format: A, A1 ... A9, B, B1 .. B9 ... Z, Z1 .. Z4.

Interval

Range of possible entries for the synchronization interval: 10 seconds ... 999 hours (entry in seconds). ECL command: INTERVAL (ITV)

Interval Source

The synchronization interval can be generated in three different ways:

Time: Intervals are generated based upon the selected interval duration.

Program: An interval is only generated by the ECL command: SYNC=.

Channel 11: A meter input serves as a binary input for the synchronization signal. The selected pulse duration and pulse edge are taken into consideration.

ECL command: INTERVAL SOURCE (IQ)

Source (tariff source)

Selection of the appropriate tariff T1 or T2 can be made in two ways:

Channel 12: A meter input serves as a binary input for determining the valid tariff. The selected pulse duration is taken into consideration. The pulse edge parameter is used to determine which level is assigned to tariffs T1 and T2. If the “+” edge (1) is selected: low level (0 V at input) corresponds to tariff T1, and high level (24 V) to tariff T2. If the “-” edge is selected, these relationships are reversed.

Program: The appropriate tariff is selected with the ECL command TARIFF=1 or TARIFF=2. These commands are only enabled if “Program” has been selected as the source. ECL command: TARIFFSOURCE (TQ)

Tariff Unit

The maximum length for the tariff unit of measure is 4 characters. The tariff unit of measure must be at least one character long. ECL command: TUNIT

T Fix Point

Determines the number of places after the decimal point which are used for the display of incurred energy costs. ECL command: TFIX

Cost Factors T1 and T2

Cost factors are entered in the same way for tariffs T1 and T2.

The cost factor is used to convert energy values into costs. This conversion can be applied to the total energy registers for tariffs EtotT1 and EtotT2, as well as EtotT1T2.

Cost factors can be entered within a range of 0.000 to 99.999

ECL command: COSTFAC1, COSTFAC2.

Password

This function provides a sub-menu for the entry of passwords for 5 users (see page 41).

LCD Contrast

This menu allows for an adjustment of the contrast at the LCD. 20 different contrast levels are available (-5 to +15). The default setting is 0 and provides for good results in most cases.

Language

All menus, ECL messages and online help are displayed in the selected language. ECL command: LANGUAGE

Date Format

3 different formats are available: dd.mm.yy, mm/dd/yy, mm-dd-yy.

Relay / S0 Mode

Determines the operating mode for relays 1 and 2, as well as S0 outputs S1 ... S4. If PROG is selected, a user program (H/P program) determines the status of the outputs. ECL command: RELM.

Analog Output Test

Voltage or current values can be read out from analog outputs A1 and A2 for test purposes with this function. Selection of either voltage or current output can be made in the menu: SETUP CHANNELS (I/O RANGE) (see page 36).

S0 / Level

The sensitivity of the S0 input channels (S1 ... S4) can be selected as a percentage (10, 25, 50 or 70%). ECL command: LEVEL

Bootstrap and Tests

Open the bootstrap loader in the bootstrap menu (see page 42).

LON Test Display: Display of several important LON parameters.

LCD Test: Tests for correct functioning of the 4 LEDs and the LCD. All four LEDs light up and a checkerboard pattern appears at the LCD during this test.

Keyboard Test: All of the instrument's keys are displayed at the LCD and activation of each key is acknowledged at the LCD.

6.4 (Channel) Parameters (mode, name, units, displays, ...)

From
SETUP Selection

(ESC)

Sub-Menus / Parameters

- SETUP - CHANNEL Menu 1	MODE: LON	F1	OFF, ANA, COUNT, LON, LON-ANA, LON-PE, LON-INP, LON-REL
CHAN: 1	CHANNEL NAME MOTOR-01	F2	1 to 8 characters, here: MOTOR-01
Select Channel: ↑ ↓	LONG NAME ASYNC.MOTOR1	F3	1 to 20 characters, here: ASYNC.MOTOR1
	E-UNIT kWh	F4	1 to 4 characters, freely definable energy unit of measure
	P-UNIT kW	F5	1 to 4 characters, freely definable power unit of measure



- SETUP - CHAN. Menu 2	MODE: LON	F1	Same mode as above
CHAN: 1	Visible ON	F2	ON/OFF
Select Channel: ↑ ↓	Start/Stop START	F3	START/STOP
	FX POINT 2: 0.00	F4	0 to 3 places after the decimal point for the display of energy and power values
	C-FACTOR 1.00	F5	0.001 ... 99999.999



- SETUP - CHAN. Menu 3	MODE: LON	F1	Same mode as above
CHAN: 1	METER CONST. 100.00	F2	0.001 ... 99999.999 pulses per kWh
Select Channel: ↑ ↓	U-RATIO 1.00	F3	0.001 ... 99999.999
	I-RATIO 1.00	F4	0.001 ... 99999.999
	P-FACTOR 3600.00	F5	0.001 ... 99999.999



- SETUP - CHAN. Menu 4	MODE: LON	F1	Same mode as above
CHAN: 1		F2	
Select Channel: ↑ ↓	PULSE TIME 50 ms	F4	1 ... 9999 ms time required for valid S0 signal
	TRIGGER EDGE 1: _ _ _	F5	1 / 0, i.e. trigger for S0 signal at pos. / neg. edge

(Channel) Mode

The following selections can be made with the following sub-menus, depending on the summator type:

U1601/3: Channel mode 0 ... 8
U1602: Channel mode 0, 4 ... 8

- 0: OFF: The channel is switched off entirely and all functions are deactivated.
- 1: ANA: The applied analog quantity is displayed for this channel with the corresponding "A UNIT" (see A-UNIT parameter on page 37).
- 2: P → E: PMOM=ANA → ENERGY (see chapter 5.2)
- 3: Count: A binary input quantity is used for energy measurement in accordance with the S0 standard (COUN) (see chapter 5.2).
- 4: LON: Measured energy data are made available to the system via linking amongst various LON users.
- 5: LON-ANA: Analog values via LON for A2000, A210/A230, DME400, U1661, U128X W1, U138X W1, U228x W1 and U238x W1 (see chapter 5.5)
- 6: LON-PE: Same as LON-ANA, plus energy is calculated based on LON analog values (see chapter 5.5)
- 7: LON-INP: Binary inputs via LON for U1660
- 8: LON-REL: Relay outputs via LON for OCL210.

Channel Name

Each physical channel can be assigned a name for the purpose of improved identification. The name need not be unique, unless it is also used as a field name for a database. The length of the name may not exceed 8 characters, and it must be at least one character long. ECL command: CHANNEL

Long Name

An expanded channel name including up to 20 characters. ECL command: LNAME

E-Unit, P-Unit

A freely definable energy unit of measure (e.g. kWh) and power unit of measure (e.g. kW) can be assigned to each physical channel. The units of measure may not exceed a length of 4 characters, and must be at least one character long.

ECL command: EUNIT, PUNIT

(Channel) Visible

Each physical channel can be made visible or invisible for queries from the control panel or for "*" - lists during interpreter operation. The function of the channel remains otherwise unchanged! If, for example, only channels 1 through 3 are visible, values can only be queried for these channels in the normal display mode, and the instrument appears to be a 3 channel device. If "Etot*", is queried during interpreter operation, total energy is only displayed for these three channels.

If all channels have been deactivated, time and date are displayed in the normal display mode. These entries are immediately effective and need not be acknowledged.

ECL command: ONOFF

Channel Start/Stop

The acceptance of meter pulses at a given input is controlled with the Start/Stop function. A channel which has been created by means of t "differential linking" can be influenced with the Start/Stop function in an analog fashion. Since the binary input status of the channel is not influenced, undesired counting of binary data can, for example, be avoided with this function. These entries are immediately effective and need not be acknowledged. ECL command: STARTSTOP (STSP)

Fix Point

A determination can be made as to how many places after the decimal point will be used for the display (not the calculation) of energy or power values for each physical channel.

(0) No places	0	(2) Two places	0.00
(1) One place	0.0	(3) Three places	0.000

These entries are immediately effective and need not be acknowledged.

ECL command: CFIX

C-Factor

The following can, for example, be accomplished with this function: The measured quantity is consumption in cubic meters. This quantity needs to be displayed in the unit of measure *standard cubic meters* [Nm³], so that a correction factor is required. This (C-Factor) is thus the desired multiplication factor used for the calculation of the energy value for a given channel.

Meter Constant

The meter constant can be defined individually for each physical channel. It indicates how many meter pulses are generated by a connected meter per kWh, and is used in the formula for the calculation of energy (see page 7). ECL command: MCONST

U-Ratio, I-Ratio

The Uratio and Iratio factor can be defined individually for each physical channel (see page 7 for calculation formula).

Sign Changes (+, -): Press "<<" (F2) when the cursor is all the way to the left.

Range of possible entries for Uratio and Iratio: 0.000 ... 99999.999

If the Uratio or Iratio factor is set to zero for a given channel, meter pulses can be disabled for the channel in question. However, it is better to use the Start/Stop function for this purpose. ECL command: URAT, IRAT



Note

A detailed description on URAT and IRAT is given in the ECL Interpreter and Command List (3-348-870-03).

P-Factor

The P-Factor can be defined individually for each physical channel (see page 7 for calculation formula).

Sign Changes (+, -): Press "<<" (F2) when the cursor is all the way to the left.

Range of possible entries for Uratio and Iratio: 0.000 ... 99999.999

ECL command: P-FACTOR

Pulse Time

The duration for which a pulse must be applied to the S0 input of a channel in order to be recognized as an S0 pulse (debouncing time). ECL command: PULSE

Trigger Edge

Determines whether the meter pulse is triggered at its positive (1) or negative (0) edge.

ECL command: EDGE

Setup Channel Parameters (menus 5 ... 8)



- SETUP - CHAN. Menu 5	MODE: LON
CHAN. 1 LON	SUB-CHANNEL 5
U1660.8	LON ACTIVITY (run)
Select Channel: ↑↓	NEURON-ID 0100221DFC00

- F1 — OFF, ANA, COUNT, LON, LON-ANA, LON-PE, LON-INP, LON-REL
- F2 —
- F3 — LON user has 8 channels, channel 5 is displayed
- F4 — RUN, STOPPED
- F5 — 12 place address for the selected LON user



- SETUP - CHAN. Menu 6	MODE: LON
CHAN. 1 LON	LON FACTOR 0.00
U1660.8	LON OFFSET 0.00
Select Channel: ↑↓	

- F1 — Same mode as above
- F2 — 0.001 ... 99999.999
- F3 — 0.001 ... 99999.999
- F4 —
- F5 —



- SETUP - CHAN. Menu 7	MODE: LON
CHAN. 1	ANA FAKTOR 1.00
ANALOG E-01	ANA OFFSET 0.00
Select Channel: ↑↓	ANA SIGN Range: +/-
	I/O Range 20 mA

- F1 — Same mode as above
- F2 — 0,001 ... 99999,999
- F3 — 0,001 ... 99999,999
- F4 — +/-, +, -
- F5 — 5mA, 4-20mA, 20mA, 10V, S0



- SETUP - CHAN. Menu 8	MODE: LON
CHAN. 1	UNIT SELECT P-Unit
ANALOG E-01	A-Unit kW
Select Channel: ↑↓	ANA FIX POINT 9: 0.0...
	RESOLUTION 2000

- F1 — Same mode as above
- F2 — None, E-Unit (energy), P-Unit (power), A-Unit (analog value)
- F3 — Freely definable dimension, if an analog input quantity (A-Unit) is to be displayed
- F4 — 0, 1, 2, 3 or 9 determines number of places after the decimal point for the display
- F5 — 100 ... 10000

Sub-Menus / Parameters

Mode

see page 34 above

LON Channel

The LON user which has been selected with its neuron ID has 8 channels. Channel 5 is displayed at local channel 1, if channel 1 has been set to the LON mode.

LON Activity

If a LON user malfunctions, all local channels which are used to display LON channels indicate errors. In this way, the LON channel can be displayed (run) or suppressed (stopped) without switching off individual channels.

Neuron ID

This is the internationally unique address for a LON user and consists of a 12 place hexadecimal value. The summator automatically establishes contact with the LON user which has been assigned to this address. If the local channel has been set to the LON mode, the suppressed "LON channel" is displayed (channel 5 from the previous example).

LON Factor, LON Offset

LON user values are scaled to a value of -1 ... 0 ... +1.

The range characteristics can be freely adapted to the measuring task with the LON Factor and LON Offset parameters. ECL commands: LONFACTOR, LONOFFSET

ANA Faktor, ANA Offset

Analog output values are scaled to a value of -1 ... 0 ... +1.

The range characteristics can be freely adapted to the measuring task with the Ana-Factor and Ana-Offset parameters. ECL commands: ANAFAKTOR, ANAOFFSET.

Sign (+, -)

Indicates the polarity of the input and output signals. + and - correspond to positive and negative signals from the appropriate input or output. ECL command: ANASSEL

I/O Range

Indicates the range of the respective analog input or output. Possible ranges include: 5 mA, 4 - 20 mA, 20 mA, 10 V, S0. For the analog outputs, only the 10 V and/or 20 mA ranges are possible. The hardware must also be set to the same value. The required DIP switches are located under the cover plate at the top of the instrument (see page 50).

Unit Select

Determines which unit of measure (none, energy, power, analog value) is used for the display of the channel's input quantity. ECL command: ANAUSEL

A-Unit

Freely definable magnitude for the display of measured quantities, if these are measured as analog values, e.g. kW, °C, m³, mA. The display can include up to 5 places.

ECL command: AUNIT

ANA Fix Point

Determines the number of decimal places used after the comma for the display (not the calculation) of the measured analog quantity for each physical channel.

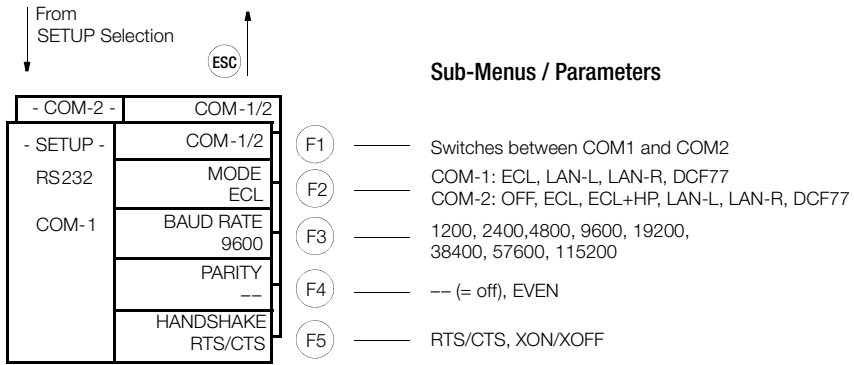
(0) No places	0	(2) Two places	0.00
(1) One place	0.0	(3) Three places	0.000
(9) Floating decimal point			

These entries are immediately effective and need not be acknowledged.
 ECL command: ANAFIX

Resolution

For the 12 analog input channels E1 ... E12. ECL command: ANARESO

6.5 RS232 Menu



ECS LAN via COM

If a 4-wire ECS-LAN connection is to be provided via an asynchronous V24 interface, a new mode is available for the serial interfaces as from V2.48:

LAN-R or LAN-L.

Example: Two devices shall be interconnected in a TCP/IP network at ECS-LAN level. Two COM servers are used for this purpose which are linked to one device each per RS 232 interface and are interconnected per Ethernet. COM servers transmit signals in a transparent manner from the RS 232 interface to the allocated COM server.

As soon as LAN-R or LAN-L has been selected by COM-1 or COM-2 in the setup menu, the ECS LAN data stream is diverted to this COM interface. The interface parameters baudrate, parity and handshake are now applicable, instead of the ECS LAN settings which were previously in use.

Recommendation: maximum baud rate (115200 Bd), parity OFF, handshake RTS/CTS. The selected parameters must correspond to the settings of the connected COM server, however, they may deviate from those of the opposite terminal, if necessary.

Please note that the now redundant ECS LAN connection should no longer be used. Please also make sure that the matching resistor for 2-wire parameters configuration is activated in order to prevent any ECS LAN errors.

Special case: Use of COM and ECS LAN Connection

The ECS LAN connection is not deactivated in the ECS LAN-via-COM operating mode. Any telegrams to be sent are transmitted both via the associated COM interface and the ECS LAN interface. Incoming telegrams are processed by both interfaces. Nevertheless, it is not a star hub configuration as the two interfaces (COM and ECS LAN) cannot “see” one another.

6.6 LON Menu

From
SETUP Selection

ESC

Sub-Menus / Parameters

- SETUP - LON	INSTALLATION	F1	
	SUBNET/NODE S001N003	F2	Subnet 1 ... 255 Node 1 ... 127
	TIMING-CODE 9	F3	0 ... 15
	POLL DELAY 300 ms	F4	0 ... 32000 ms
	TERMINATION open	F5	Open bus termination, 50 Ohm, 100 Ohm

- INSTALLATION All LON users are sought out and reinstalled.
- SUBNET/NODE LON address of the summator
- TIMING CODE Waiting time is set for a response with TIMING CODE.
- POLL DELAY POLL DELAY is waiting time between queries from 2 channels in milliseconds.
- TERMINATION LON network termination is set via TERMINATION.

6.7 ECS LAN Menu

From
SETUP Selection

ESC

Sub-Menus / Parameters

- SETUP - ECS LAN	BAUD RATE	F1	Sub-menu: 15K6 / 31K2 / 62K5 / 125K / 375K; separate settings for LAN-L; LAN-R
	L MODE 2-Wire	F2	LAN-L: 2 or 4-wire connection
LEFT []	TERMINATED Yes	F3	LAN-L: open or terminated (always with 4-wire connection)
	R MODE 2-Wire	F4	LAN-R: 2 or 4-wire connection
RIGHT []	TERMINATED Yes	F5	LAN-R: open or terminated (always with 4-wire connection)

LAN-L: Settings for LAN left (terminals 49 through 52)

LAN-R: Settings for LAN right (terminals 53 through 56)

2-wire connection is normally used (terminals 45 + 46 or 49 + 50), and this is the only possibility which allows for bus configuration with multiple users at the same bus cable. In this configuration the first and the last instruments on the bus cable must be terminated with the internal matching resistors. Proper functioning of the bus is not possible if the terminating resistors are not activated (Bus LED LAN/L or LAN/R blinks). For long transmission distances, or if boosters are required, 4-wire connection can be used (only line-to-line connection is possible). The required terminating resistors are automatically activated. The default baud rate is 62.5 kBaud.



Note

Additional information on adjusting the interface (parameter type SET...) is also provided in the ECL Interpreter and Command List (3-348-870-03).

6.8 SETUP Sub-Menus (edit, erase, outputs, bootstrap loader, password)

EDIT Menu (example)

From Setup Menu (requires password entry, valid until the setup menu is exited.)

abc	F1	Characters list	
Edit: Station Name	A/a	F2	Switch between upper and lower case letters
B u i l d i n g 3			
← : OK ESC: Escape ↻ : Char. List F3 : Clipboard	INS	F4	Adds a blank
	DEL	F5	Deletes active character

ESC Escape
 ← Save Value

Character Selection									
0	1	2	3	4	5	6	7	8	9
A	B	C	D	E	F	G	H	I	J
K	L	M	N	O	P	Q	R	S	T
U	V	W	X	Y	Z	Ä	Ö	Ü	ß
.	+	-	/	*	=	-	°	@	
F1:abc F2:A/a ←:ok									

F1 Additional characters window
 F2 Switch between upper and lower case letters
 ◀ ▶ ▲ ▼ Select character
 ← Save character

ERASE Menu

Requires password entry.

From all Displays >2sec

ESC Abort

ERASE	Ana	F1	Deletes measurement data (in this case Etot) for the displayed function of the selected channel
Chan. 1		F2	
	CHANNEL DATA	F3	Deletes all measurement data for the selected channel
	DATA OF ALL CHANNELS	F4	Deletes all measurement data for all channels, except for data logger entries
Channel Change: ↑ ↓	DATA LOGGER	F5	Deletes all entries from the data logger

F1 ... F4 here, e.g., F4

ERASE all channel data
: YES ESC : ESCAPE

YES
 ESC NO

▲ ▼ Select Channel
 ESC Abort

Password Menu

NEW PASSWORD Entry 1. Select the User	User 1	F1
	User 2	F2
	User 3	F3
	User 4	F4
	User 5	F5

Passwords consist of a combination of the F1 through F5 keys and always have 6 places.

When the summator is shipped, all of the passwords have been deleted: any user is able to configure parameters. If this needs to be avoided, passwords can be entered for 5 users:

Enter a password for user 1 first (master). Passwords for other users (2 through 5) cannot be entered until the password for user 1 has been entered. After the password for user 1 has been entered, parameters can be changed for a period of 5 minutes if none of the keys are activated. After this time period, or after an instrument self-test, password entry is once again required.

Each user can change his password at will.

After the user has logged on with his password, he has only 5 minutes to change his own password, even if none of the keys have been activated during this time.

If password protection is to be cancelled for all users, user 1 (master) must enter special password "111111". The system deletes all passwords and parameters can be configured by any user.



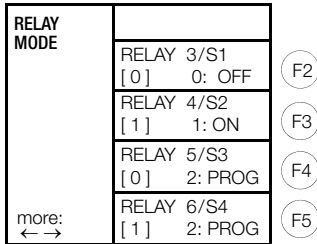
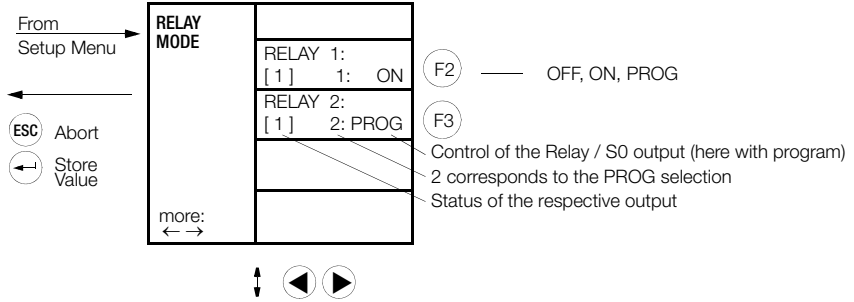
Note

For details on the parameter Password please refer to the ECL Interpreter and Command List (3-348-870-03).

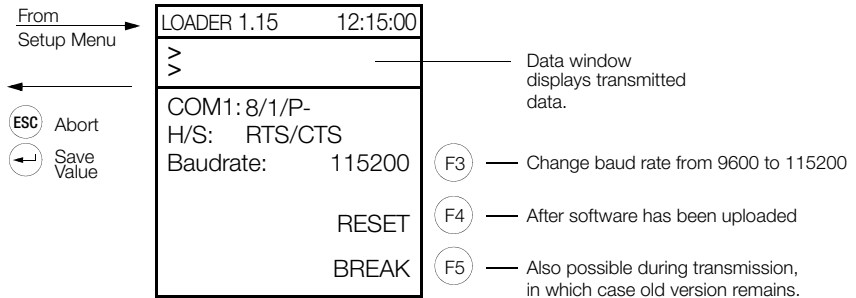
Analog Output Test

From Station Menu	ANALOG OUTPUT TEST A-01: -20mA Selection: F ₂ ..Select. more: ← → Channel: ↑ ↓	TEST: ON	F1
←		0 mA	F2
ESC Abort		-4 mA	F3
← Save Value		-10 mA	F4
		-20 mA	F5

S0/Relay Output Menu



BOOTSTRAP Menu



6.9 Firmware Update

The operating system is stored to flash memory. Summator updating is performed on site via the serial interface.

Required Tools

- PC with serial interface. Notebooks are best suited because they can be operated without mains power.
- Null modem cable, e.g. GTZ5232000R0001 (RTS/CTS conductors must be used due to high baud rate), see chapter 7.3 for connector pin assignments.

Preparation

- Download the new firmware version from our website:
<http://www.gossenmetrawatt.com>
Save it to an empty directory and decompress the files.
- Connect the summator (COM 1) and the PC with the null modem cable.
- Disconnect the LON bus plug from the summator.

The following work steps are required to this end:

1. Abbreviated Instructions

- ⇒ PC: Start the download with the "Update32.exe" program.
- ⇒ Select the desired language.
- ⇒ Select the COM port to which the summator is connected.
- ⇒ Update the bootstrap loader first.

Update > new bootstrap loader

Set the U1601 ... 3 summator to the download mode to this end, and start the update.

The summator is automatically reset after updating has been completed.

- ⇒ Then update the firmware and the help texts:

Update > update all

Set the U1601 ... 3 summator to the download mode to this end, and start the update procedure.

Two files are transferred to the summator.

The summator is automatically reset after updating has been completed.

Done!

The summator is once again ready for use.



Note

If you have connected LON users to your summator, the LON LED on the summator may blink in exceptional cases. If this is the case, the LON nodes must be reinstalled (see chapter 12.4).

2. Complete Instructions

- ⇨ Connect the U1601 ... 3 summator directly to the PC with the GTZ5232000R0001 null modem cable. A hardware handshake is necessary due to the high baud rate, for which reason the RTS/CTS leads have to be crossed over (see wiring diagram below).
- ⇨ PC: Start the download with the "Update32.exe" program.
- ⇨ Select the desired language.
- ⇨ Select the COM port to which the summator is connected.
- ⇨ Update the bootstrap loader first.
 - Update > new bootstrap loader

– U1601 Summator:

The U1601 summator can be set to the download mode in two ways:

- Press and hold the menu key until "SETUP SELECTION" appears.
Press the menu key 4 times until "SETUP-STATION Menu4" appears.
Then press the F5 key = BOOTSTRAP LOADER AND TESTS ...
Press and hold F1 (BOOTSTRAP LOADER) until the bootstrap loader menu appears.
The default value of 115,200 baud has proven itself in actual practice, and should not be changed.
- Alternative: Press and hold the F1 key and disconnect auxiliary power at the device (power-up reset). The summator is now ready to receive data.

– U1602 and U1603 Summators:

These summators can be set to the download mode as follows:

- Press and hold the BOOT button with a pencil until the LEDs go out briefly. When the button is released, the 4 LEDs start blinking. The LED which remains illuminated the longest indicates the utilized baud rate:
STATUS : 115,200 baud
LAN/L : 38,400 baud
LAN/R : 19,200 baud
LON : 9,600 baud
The default value of 115,200 baud has proven itself in actual practice, and should not be changed.

The summator is now ready to receive data.

Start the update procedure with the PC software.

The summator is automatically reset after updating has been completed.

- ⇨ Then update the firmware and the help texts.

Select update > all.

Set the U1601 ... 3 summator to the download mode to this end, and start the update procedure.

Two files are transferred to the summator.

The summator is automatically reset after updating has been completed.

Done!

The summator is once again ready for use.



Note

If you have connected LON users to your summator, the LON LED on the summator may blink in exceptional cases. If this is the case, the LON nodes must be reinstalled (see chapter 12.4).

6.10 Master Reset

A normal reset is executed after interrupting auxiliary power and when the integrated watchdog is triggered, i.e. neither measurement data nor parameters are deleted. However, if you would nevertheless like to delete all measurement data and reset the parameters to their default values, a master reset must be executed using the keypad at the U1601 summator. This is only possible within the first seven seconds after switching the summator on. Press and hold the following keys simultaneously for at least three seconds to this end:

F1 + F5 + MENÜ

Master reset can also be triggered with the following ECL command: SYSRESET = 590. The master reset is now performed, after which the instrument returns to its normal display. The following parameters are not effected by the master reset:

ID	Linking of the status relay
Baud rate for the RS232 interface	Language
Parity for the RS232 interface	Password configuration
BUS/L and BUS/R parameters	LON matching resistor

6.11 Basic Software Configuration

The instrument is configured as follows upon receipt from the factory, or after a MASTER RESET:

Designation	Parameter	Value
Station Name	STATION	U1601
ID	* SETID	A
Synchronization Interval	INTERVAL	15 minutes
Interval Source	IQ	Time
Tariff Source	TQ	Program
Tariff Unit of Measure	TUNIT	EUR
Tariff Fix Point	TFIX	2
Cost Factor, Tariff 1	COSTFAC1	0.20
Cost Factor, Tariff 2	COSTFAC2	0.15
Password	* PASSWORD	
LCD Contrast	-	5
Language	* LANGUAGE	German
Relay Mode	RELM	2 (per program)
Level	LEVEL	1
Channel Mode	KMODE	Channel 1 ... 12: COUNT 13 ... 14: ANA 15 ... 64: OFF
Channel Name	KNAME	Channel x
Long Name	LNAME	Long name, channel x
Energy Unit of Measure	EUNIT	kWh
Power Unit of Measure	PUNIT	kW
Visible	ONOFF	ON
Start/Stop Function	STARTSTOP	START
Channel Fix Point	KFIX	2
C-Factor	KFACTOR	1
Meter Constant	MCONST	1
Voltage Transformation Ratio	URAT	1
Current Transformation Ratio	IRAT	1
P-Factor	PFACTOR	3600
Pulse Time	PULSE	20 ms
Pulse Edge	EDGE	1 (+)
LON Activity	LONSTOP	0
Neuron ID	LONID	000 000 000 000
LON Matching Resistor	* SetLON	50 Ω
LON-SUBNET/NODE	LonSUBNODE	S001N126 (Subnet = 1, Node = 126)
LON-TIMING-CODE	LonSTATIMing	9 (384 ms)
LON-POLL-DELAY	LonPOLLDElay	0
LON-Sub-channel	LONKAN	1
LON Factor	LONFACTOR	1
LON Offset	LONOFFSET	0
C-Factor	KFACTOR	1

Designation		Parameter	Value
Ana-Factor		ANAFAKTOR	1
Ana-Offset		ANAOFFSET	0
Ana-Sign		ANASSEL	0 (±)
Selected Ana-Unit		ANAUSEL	2
Ana-Unit		AUNIT	kW
Ana-Mode		ANAMODE	3 (count)
I/O Range	*	ANAMODSEL	3 (S0)
Ana Fix Point		ANAFIX	2
Resolution		ANARESO	2000
COM1 Mode	*	SetCOM1	ECL
COM1 Baud Rate	*	SetCOM1	9600
COM1 Parity	*	SetCOM1	Off
COM1 Handshake	*	SetCOM1	Xon/Xoff
COM2 Mode	*	SetCOM2	ECL
COM2 Baud Rate	*	SetCOM2	9600
COM2 Parity	*	SetCOM2	Off
COM2 Handshake	*	SetCOM2	Xon/Xoff
ECS LAN 2-Wire- / 4-Wire Connection	*	SetLanL, SetLanR	BL: 2-wire, BR: 2-wire
ECS LAN Matching Resistor	*	SetLanL, SetLanR	BL: ON, BR: ON
ECS LAN Baud Rate	*	SetLanL, SetLanR	BL: 62K5, BR: 62K5
Background Program: Daylight Saving / Standard Time		H 31	'SUWI,IF,TIME-,+,TIME=.'
Format		FORMAT	Channels 1 ... 64 in format 0
Group Name		GROUP	ECS
Status Relay Linking		STATCHECK	1 (linked)

*) These parameters remain unchanged after a master reset.

7 Connections

7.1 Terminal Assignments

U1601

⊖ Analog / SO												Relay 1			Relay 2														
+ E1	+ E2	+ E3	+ E4	+ E5	+ E6	+ E7	+ E8	+ E9	+ E10	+ E11	+ E12	⎓ ⎓			⎓ ⎓														
1	2	3	4	5	6	7	8	9	10	11	12	13	14	15	16	17	18	19	20	21	22	23	24	25	26	27	28	29	30

⊖ Analog			⊖ SO				U _V	LAN _L			LAN _R			LON	Status			± U _H ≍											
+ A1	+ A2	+ S1	+ S2	+ S3	+ S4	+ 24V	+ EA	+ E	+ EA	+ E	A B	⎓ ⎓			L	N													
31	32	33	34	35	36	37	38	39	40	41	42	43	44	45	46	47	48	49	50	51	52	53	54	55	56	57	58	59	60

U1602

U _V	LAN _L			LAN _R			LON	Status			± U _H ≍						
+ 24V	+ EA	+ E	+ EA	+ E	A B	⎓ ⎓			L	N							
43	44	45	46	47	48	49	50	51	52	53	54	55	56	57	58	59	60

U1603

⊖ Analog / SO												Relay 1			Relay 2														
+ E1	+ E2	+ E3	+ E4	+ E5	+ E6							⎓ ⎓			⎓ ⎓														
1	2	3	4	5	6	7	8	9	10	11	12	13	14	15	16	17	18	19	20	21	22	23	24	25	26	27	28	29	30

⊖ Analog			⊖ SO				U _V	LAN _L			LAN _R			LON	Status			± U _H ≍											
+ A1	+ A2	+ S1	+ S2	+ S3	+ S4	+ 24V	+ EA	+ E	+ EA	+ E	A B	⎓ ⎓			L	N													
31	32	33	34	35	36	37	38	39	40	41	42	43	44	45	46	47	48	49	50	51	52	53	54	55	56	57	58	59	60

Terminal	Function	Designation	Terminal	Function	Designation
1	Input E1	+	31	Output A1, analog	+
2	Input E1	-	32	Output A1, analog	-
3	Input E2	+	33	Output A2, analog	+
4	Input E2	-	34	Output A2, analog	-
5	Input E3	+	35	Output S1, binary (S0)	+
6	Input E3	-	36	Output S1, binary (S0)	-
7	Input E4	+	37	Output S2, binary (S0)	+
8	Input E4	-	38	Output S2, binary (S0)	-
9	Input E5	+	39	Output S3, binary (S0)	+
10	Input E5	-	40	Output S3,, binary (S0)	-
11	Input E6	+	41	Output S4, binary (S0)	+
12	Input E6	-	42	Output S4, binary (S0)	-
13	Input E7	+	43	Power, external contacts	+ 24 V
14	Input E7	-	44	Power, external contacts	0 V
15	Input E8	+	45	LAN Left	EA+
16	Input E8	-	46	LAN Left	EA-
17	Input E9	+	47	LAN Left	E+
18	Input E9	-	48	LAN Left	E-
19	Input E10	+	49	LAN Right	EA+
20	Input E10	-	50	LAN Right	EA-
21	Input E11	+	51	LAN Right	E+
22	Input E11	-	52	LAN Right	E-
23	Input E12	+	53	LON	A
24	Input E12	-	54	LON	B
25	Relay 1	0	55	Status Relay	Ö
26	Relay 1	W	56	Status Relay	W
27	Relay 1	Sch	57	Status Relay	Sch
28	Relay 2	0	58	Auxiliary Power Supply	L / +
29	Relay 2	W	59		
30	Relay 2	Sch	60	Auxiliary Power Supply	N / -

Note:

The meter power supply U_V provides max. 24 V DC at max. 0.15 A (short-circuit proof). Inputs E1 ... E12 can be configured as either analog or binary inputs (S0) – see chapter 7.2, page 50.

7.2 Input and Output Configuration (DIP switches)

Remove the cover plate at the top of the instrument. The analog inputs and outputs can be adapted to the desired measuring range, and can be configured as binary inputs (S0) with the DIP switches. These setting must also be entered to the channel data (I/O RANGE parameter, see page 37).

U1601

10V	T	↓	↓	↓
20mA	T	↓	↓	↓
5mA	T	↓	↓	↓
S0	↓	↓	↓	↓

DIP switches for analog inputs
S0 corresponds to binary input
Set at the factory to S0

E1	E2	E3	E4	E5	E6	E7	E8	E9	E10	E11	E12
6	5	4	3	2	1	6	5	4	3	2	1

A1	A2	↓	↓	↓	10V
6	5	4	3	2	1
↓	↓	↓	↓	↓	20mA

DIP switches for analog outputs
Switching between voltage and current
Set to 20 mA at the factory

U1603

10 V	T	↓	↓	↓
20 mA	T	↓	↓	↓
5 mA	T	↓	↓	↓
S0	↓	↓	↓	↓

DIP switches for analog inputs
S0 corresponds to binary input
Set to S0 at the factory

E1	E2	E3	E4	E5	E6
6	5	4	3	2	1

A1	A2	↓	↓	↓	10 V
6	5	4	3	2	1
↓	↓	↓	↓	↓	20 mA

DIP switches for analog outputs
Switching between voltage and current
Set to 20 mA at the factory

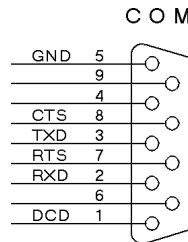
7.3 Interface Pin Assignments, Connector Cable

Cable type GTZ5232000R0001 is required for connecting a summator to a PC. This is a 9-pole null modem cable with two socket connectors and a length of approximately 2 meters. A faultless connection can only be guaranteed with the cable by Gossen Metrawatt GmbH.

7.3.1 U1601

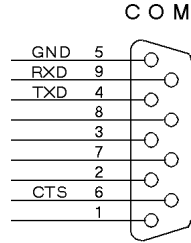
Pin Assignments for D9 Sub-Miniature Connector Plug for COM1

Pin Number	Function
1	DCD
2	RXD
3	TXD
4	
5	Signal - ground
6	
7	RTS
8	CTS
9	



Pin Assignments for D9 Sub-Miniature Connector Plug for COM2

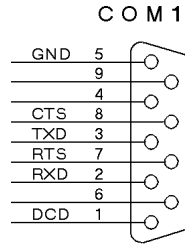
Pin Number	Function
1	
2	
3	
4	TXD
5	Signal - ground
6	CTS
7	
8	
9	RXD



7.3.2 U1602, U1603

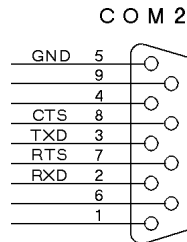
Pin Assignments for D9 Sub-Miniature Connector Plug for COM1

Pin Number	Function
1	DCD
2	RXD
3	TXD
4	
5	Signal - ground
6	
7	RTS
8	CTS
9	



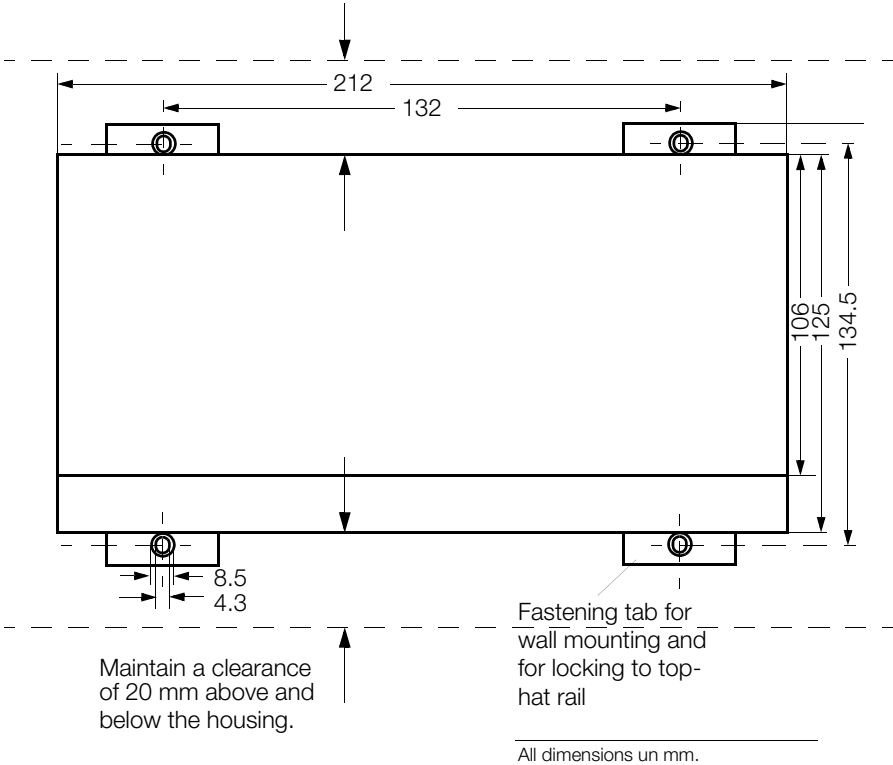
Pin Assignments for D9 Sub-Miniature Connector Plug for COM2

Pin Number	Function
1	
2	RXD
3	TXD
4	
5	Signal - ground
6	
7	RTS
8	CTS
9	

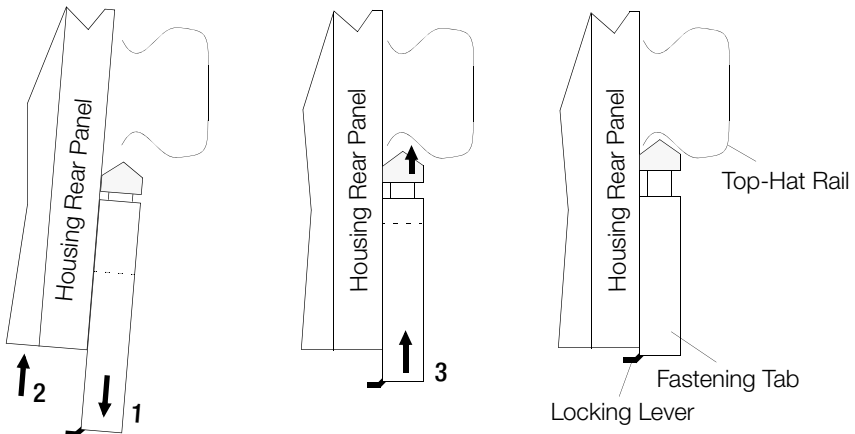


8 Meter Installation

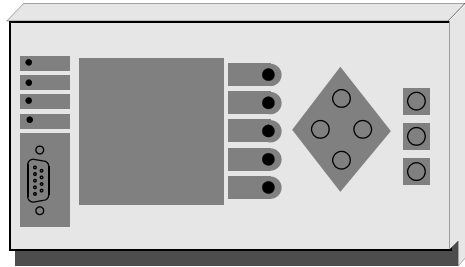
Drill Hole Pattern



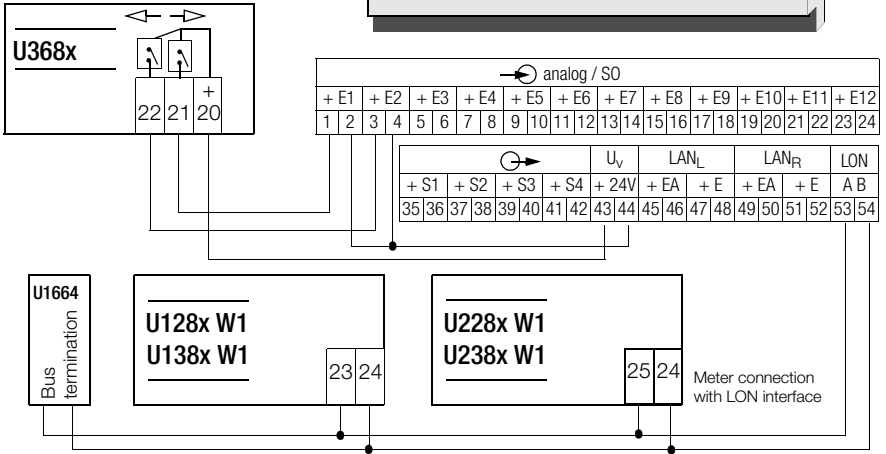
Installation to Top-Hat Rail



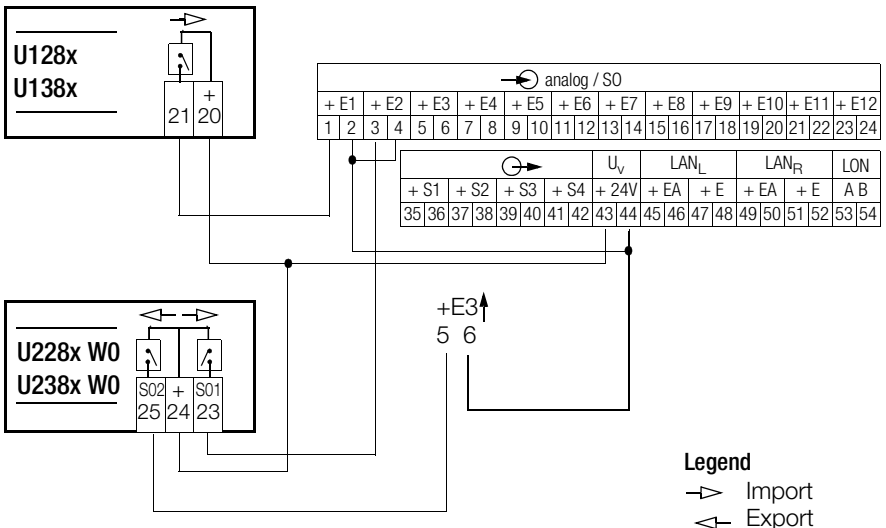
Meter Connection (example)



Meter Connection with S0 Interface



Meter connection with S0 interface



Legend

- Import
- Export

9 Programming

9.1 General Information

ECL - Energy Control Language

The flexibility of the ECS is based upon programmability of the individual summators using a programming language which was developed especially for the ECS, namely ECL or Energy Control Language. See ECL Interpreter operating instructions and command reference for more details concerning this high level language which is similar to FORTH, and which is just as easy to learn as BASIC. Thanks to its programmability, the following, additional system characteristics are made available:

Virtual Channels

Even complex formulas for the creation of virtual channels can be concisely and plainly formulated as background programs. No predefined patterns get in the way of flexibility.

Programming the Relays

Relay switching may depend upon a multitude of conditions. Any desired conditions, even conditions which effect more than one summator, can be formulated with ECL. These conditions are monitored continuously by a background program. A specialized type of relay output programming might even correspond to a simple form of energy management ...

Simple Energy Management

Example: If mean power at a given load component exceeds a specified value, the load component is switched off by activating one of the two relays. Whether or not this shut-down is desired at all can be determined by the system clock (e.g. nighttime only), by querying a binary input (e.g. only shut down if high level is applied to input 10) or by analyzing the power values of additional load components.

Tariff Selection

Highly specialized requirements for switching between tariffs can be fulfilled by means of time comparison functions with background programs.

Flexible Adaptation to Database-Specific Transmission Formats

Repetitive queries to the database can be set up as normal P programs. Complete ASCII oriented database formats can also be realized with this type of program. When the program is started, data transmission is performed in accordance with the desired format.

Background Programs H0 through H31

32 background programs, H0 through H31, are available. Each program can record up to 127 characters. The background programs are run continuously, one after the other. Due to the multi-tasking structure of the operating program, normal operating sequences are not effected at all by the background programs.

Programs P0 ... P31, Q0 ... Q31

64 programs, P0 through P31, or Q0 through Q31, respectively, record repetitive command sequences which can then be run simply by opening the corresponding program. Programs can be nested, and a normal P program can be run as a sub-program from a background program.

Program Names

Names can be assigned to P programs. P programs can be queried system-wide with the help of such names.

9.2 Parameters Configuration and Data Visualization at a PC

The easiest way to communicate with a summator from a PC is by means of terminal emulation, e.g. with the help of HyperTerminal. However, the user must be very familiar with the commands.

ECSwin provides a much more convenient method.

Program features:

ECSwin is used primarily for configuring parameters at U1600, U1601, U1602, U1603 and U1615 summators in an ECS LAN. Beyond this, reading in and visualizing energy consumption data in the form of measured value tables and graphics (online display) is supported as well. The 32 bit program (as from version V3.4 x) runs under MS Windows Vista, 7 (32 and 64 bit), 8 and 10. Connection to U16sxx is possible via TCP/IP or RS232.

The following functions are provided by the software:

- A dialog box for logging on and configuring access authority
- A dialog box for setting time in the ECS LAN
- A dialog box for configuring summator parameters
- A dialog box for configuring channel parameters
- A dialog box for setting meter readings
- A dialog box for configuring relay parameters
- Transmit user created command sequences to the summator
- A dialog box for generating virtual channels
- Control panel display (including device display, keys and LEDs) for U1600 and U1601
- Ascertainment and graphic representation of the ECS LAN network topology
- Querying and display (as table or characteristic curve) of Intervalic, daily, monthly and annual energy and power data which have been stored to memory at the summator
- Querying and graphic display of current measured values in data logger format
- Data transmission via modem (maintenance of a dial-up list)
- Terminal emulation

10 Characteristic Values

• Inputs E1 ... E12 (U1601, U1603)

The 12 inputs can be configured individually as voltage, current or binary inputs with DIP switches (see page 50).

Analog Input (current)

Input quantity	direct current
Allowable Range of Input Quantities	$-20 \text{ mA} \leq X \leq 20 \text{ mA}$
Allowable Continuous Overload	$\leq 2.5 X2$
Upper Value (configurable)	$1 \text{ mA} \leq X2 \leq 20 \text{ mA}$
Max. Continuous Input	$\pm 1.25 X2$
Input Impedance	
X2:20 mA	75Ω
X2:5 mA	300Ω
Input Wiring	see figure 1 for wiring diagram
Electrical Isolation	with optocoupler
Common-Mode Rejection ($\leq 120 \text{ Hz}$)	$\geq 80 \text{ dB}$

Analog Input (voltage)

Input quantity	direct voltage
Allowable Range of Input Quantities	$-10 \text{ V} \leq X \leq 10 \text{ V}$
Allowable Continuous Overload	$\leq 30 \text{ V}$
Upper Value (configurable)	$1 \text{ V} \leq X2 \leq 10 \text{ V}$
Max. Continuous Input	$\pm 1.25 X2$
Input Impedance	$118 \text{ k}\Omega$
Input Wiring	see figure 1 for wiring diagram
Electrical Isolation	with optocoupler
Common-Mode Rejection ($\leq 120 \text{ Hz}$)	$\geq 80 \text{ dB}$

Binary Input (S0)

Input quantity	direct voltage
	(square-wave pulse, S0 compatible)
Allowable Range of Input Quantities	signal level: H: $0.8 \text{ mA} \dots 4.8 \text{ mA}$
Allowable Overload Continuous	L: $0 \text{ mA} \dots 0.4 \text{ mA}$
Intermittent ($t \leq 1 \text{ s}$)	$\leq 48 \text{ V}$
Allowable Contact Types	$\leq 60 \text{ V}$
Series Resistor (internal)	semiconductor switching device, relay
Input Wiring	$4.7 \text{ k}\Omega$
Electrical Isolation	see figure 1 for wiring diagram
Pulse Duration T_{on} (adjustable)	with optocoupler
Interpulse Period T_{off}	$10 \dots 2550 \text{ ms}$
Pulse Frequency	$\geq 2 \text{ ms}$
Counting Range Limit	$\leq 250 \text{ Hz}$
	$22 \text{ places of which } 15 \text{ are usable}$

- **Outputs**

Analog Outputs A1 and A2 (U1601, U1603)

Type	floating
Number (DIP switch coded)	2
Current Output:	
Allowable Range	$-20 \text{ mA} \leq Y \leq 20 \text{ mA}$ $-4 \text{ mA} \leq Y \leq 20 \text{ mA}$ $4 \text{ mA} \leq Y \leq 20 \text{ mA}$ $1 \text{ mA} \leq Y2 \leq 20 \text{ mA}$
Upper Value Y2 (linear parameters configuration)	$1 \text{ mA} \leq Y2 \leq 20 \text{ mA}$
Max. Output Voltage	$\leq 30 \text{ V}$
Max. Output Current	$1.25 Y2$
Load Range	$0 \leq 5 \sqrt{V/Y2} \leq 10 \text{ V/Y2}$
Voltage Output:	
Allowable Range	$-10 \text{ V} \leq Y \leq 10 \text{ V}$
Upper Value Y2 (linear parameters configuration)	$1 \text{ V} \leq Y2 \leq 10 \text{ V}$
Max. Output Voltage	$1.25 Y2$
Max. Output Current	$\leq 40 \text{ mA}$
Load Range	$Y2/2 \text{ mA} \leq Y2/1 \text{ mA} \leq \infty$
Alternating Component	$\leq 0.005 Y2$

Binary Outputs S1 through S4 (U1601, U1603)

Type	floating
Number	4
Contact Type (DIN 43864)	MOS relay
Volume Resistance (AC/DC)	5Ω
Output Voltage (external, passive)	$\leq \pm 50 \text{ V}$
Output Current	
ON	$\leq 200 \text{ mA}$
OFF	$\leq 10 \mu\text{A}$

Relay Outputs, Relay 1 and Relay 2

Switching Element	relay
Number of Relays	2
Contact Type	changeover contacts
Switching Voltage	$250 \text{ V}\sim, 30 \text{ V}=\text{}$
Switching Current	$8 \text{ A ohmic}, 3 \text{ A inductive}$
Switching Cycles	$\leq 10^5$

Power Supply for External Switching Contacts

Voltage U_V (electrically isolated)	$24 \text{ V} =$
Voltage Tolerance	$\leq \pm 4\%$
Current (short-circuit and idling proof)	$\leq 0.15 \text{ A}$
Alternating Component ($\leq 100 \text{ kHz}$)	$\leq 2\% V_{PP}$
Voltage Check	$\leq 16 \text{ V} =$

• **RS 232 Interface (PC / printer)**

Number	1 (channel A and channel B)
Connectors	plug connector, 9-pin Sub-D
Possible Connections	
Channel A:	ECL, modem, terminal, radio-controlled clock
Channel B:	ECL, printer, radio-controlled clock, OFF
Data Bits	8
Transmission Speed	
Channel A/B:	1,200 ... 115,000 bits per second
Parity	none
Operating Mode	full duplex, handshake Xon/Xoff

• **ECS LAN Interface (RS 485, for linking summators)**

Number	2
Connectors	plug connectors with screw connection (up to 255 users)
Users per Segment	16 (32 with loop resistance < 100 Ω)
Operating Mode	multi-master, half duplex or full duplex
Data Protocol	HDLC/SDLC (adapted to multi-master requirements)
Topology (line and/or open ring)	\leq 1200 m open ring \leq 100 m mixed
Transmission (hamming distance = 4)	15.6 ... 375 kBit/s
Status Display	2 LEDs
Matching Resistor	switchable

• **LON Interface (for connecting meters)**

Number	1 (FTT-10, twisted 2 conductor cable)
Connectors	plug connectors with screw connection (up to 63 user per summator)
Operating Mode	LonTalk protocol (CSMA)
Topology	freely wired \leq 500 m terminated bus \leq 2700 m (cable type: Belden 85102, 1.3 mm diameter, 28 Ω /Km)
Transmission Speed	78 kbps
Status Display	1 LED, LON active
Bus Termination	switchable

• **Display (U1601 only)**

Display Type	graphic LCD, 128 x 128 (illuminated)
Format	21 characters, 16 lines

• Measurement Value Storage

Storage Mode	continuous
Memory Capacity, with 15 min. Interval	with 1 channel: 87,380 records with 64 channels: 3,971 records
Memory Stability	≥ 5 years with backup battery (see also aux. power supply – backup battery)
Resetting of Meter Values to Zero	via PC or keypad at instrument

• Clock for Date and Time

Smallest Time Unit	1 s
Allowable Deviation	10 ppm = 5.3 min. per year

• Functions Monitoring

Status Display	LED at front panel
Status Relay	changeover contact
Switching Voltage	250 V~, 30 V=
Switching Current	8 A ohmic, 3 A inductive
Switching Cycles	≤ 10 ⁵

• Influencing Quantities and Influence Errors

Influencing Quantity	Nominal Range of Use	Allowable Influence Error as Percentage of Accuracy Class
Temperature	10 °C ... <u>22 - 24</u> ... 40 °C	50%
	0 °C ... <u>22 - 24</u> ... 55 °C	100%
Output Load	load range	20%
HF Interference	IEC 255-4 E5 2.5 kV, 200 Ω, 1 MHz, 400 Hz	500%
EM Fields (severity level 3)	IEC 8001-3 10 V/m 27 - 1000 MHz	500%
EMC Burst (severity level 3)	IEC 801-4 2 kV, 5/50 ns, 5 kHz	500%
EMC RF cable (severity level 3)	IEC 801-6 0.15 - 80 MHz, 10 V	200%
Auxiliary Voltage	nominal range of use	10%

• Electrical Safety

Protection Class	I
Overvoltage Category	III
Nominal Insulation Voltage:	
Input	50 V
Output: Analog, Binary, Uv	30 V
Output Relay	250 V
Interfaces	50 V
Auxiliary Voltage, AC	265 V
Auxiliary Voltage, DC	80 V
Interference Suppression EN 55022 (VDE 878.3) device: class B	0.15 - 1000 MHz
ESD Protection IEC 801-2	4 kV
EMV Surge (severity level 3) (IEC 801-5)	2 kV

Test Voltages	
Input - Housing	0.5 kV
Input - Output	0.5 kV
Aux. Voltage - Input	3.7 kV
Input - Relay	3.7 kV

• **Resistance to Climatic Conditions**

Relative Humidity	75%
Temperature Ranges	
Operation / Function	-10° C ... +55° C
Storage, Transport	-25° C ... +70° C

• **Auxiliary Power Supply**

Extended Range Input, AC - DC	
Nominal Range of Use, AC (45 ... 420 Hz)	85 V ... 264 V
Nominal Range of Use, DC	100 V ... 280 V
Power Consumption	≤ 15 W (25 VA)
Fuse	2 A slow-blow
Direct Voltage Input (optional)	
Nominal Range of Use, DC	20 V ... 72 V
Power Consumption	≤ 15 W
Fuse	2 A slow-blow
Backup Battery	
Lithium Cell (can be replaced without tools or data loss)	CR 2450
Service Life	
without Aux. Voltage at 20° C	≥ 5 years
Loss of Capacity after 5 Years with Aux. Voltage at 20° C	≤ 15%
Supply Voltage for External Circuits	
Voltage Range	direct voltage 24 V ± 4%
Overload Capacity	max. 0.15 A
Electrically Isolated	from all other circuits

• **Mechanical Design**

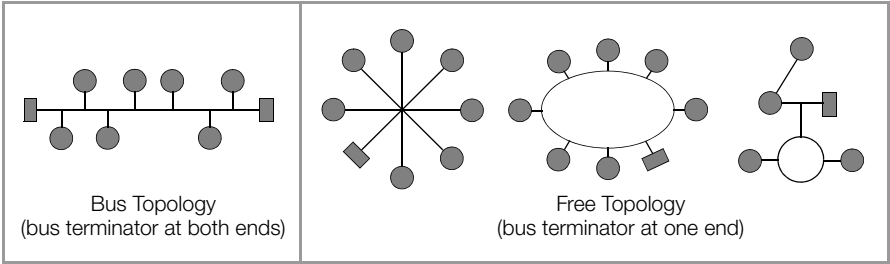
Housing Material	aluminum sheet
Dimensions	212 mm x 125 mm x 85 mm
Installation Position	any
Mounting	mounting to top-hat rail per EN 50022/35 mm or screw mounted to plate
Protection	housing: IP 40 terminals: IP 20
Weight	1.6 kg
Terminals	screw terminals, max. 2.5 square mm
Protective Conductor	6.3 mm cable lug

11 LON Bus System Structure

The most commonly used transmission medium for industrial and building management applications is twisted pair copper cable, which is used together with the electrically isolated FTT-10A transceiver. Both of the conductors can be connected to either pole, and installation is thus reverse polarity protected.

Maximum transmission distances are influenced by the electrical characteristics of the cable, and the network topology. Utilized cables should comply with the stipulated specifications in order to prevent interference during communication. Due to the possibility of reflections, only one cable type may be used in any given bus segment.

Network Topologies:



If a bus structure is used, the components are connected in parallel, one after the other. A bus terminating resistor must be used at each end. Branch lines may not exceed a length of 3 meters. Only one bus terminator is required with free topologies, but transmission distances are limited in this case.

If repeaters are used, the bus signal can be boosted thus increasing maximum possible transmission distance. Due to response characteristics, only one passive repeater may be included in any given bus segment. The transition to other physical transmission media, and/or targeted forwarding of data packets to individual bus segments, is accomplished by means of routers.

The following recommendation is based upon experience gained by Gossen Metrawatt GmbH during installation and start-up of LON systems. The environment within which the cable is laid has a decisive influence on correct cable selection, and must therefore be taken into consideration during the planning stage. All generally applicable directives for laying control and telecommunications cables must be adhered to during installation.

11.1 Maximum Cable Lengths

Cable Type / Designation	Bus Topology (bus terminator at both ends)	Free Topology (bus terminator at one end)
JY (ST) Y 2 ea. 2 x 0.8 mm	900 m	500 m max. 320 m from device to device
UNITRONIC bus cable	900 m	500 m max. 320 m from device to device
Level IV, 22AWG	1400 m	500 m max. 400 m from device to device
Belden 8471	2700 m	500 m max. 400 m from device to device
Belden 85102	2700 m	500 m

Specified values apply to total cable length and are only valid for the FTT-10A transceiver.

11.2 Cable Type

Inexpensive wiring is possible for applications in environments with minimal interference using the following cable type: JY (ST) Y 2 ea. 2 x 0.8 mm with twisted wire pairs. The above specified dimension of 0.8 mm refers to the diameter of the wire, which results in a wire cross-section of 0.5 square mm.

In most cases no shielding is required. It may be possible to eliminate communications problems occurring in environments with excessive interference by connecting the shield at one end. If cables are used which contain several wire pairs, it may be advantageous if the individual pairs are shielded. Special LON bus cable can be used for highly demanding requirements.

11.3 Bus Termination

Additional bus terminators are required for bus topologies, and where repeaters are utilized. These can be purchased as auxiliary LON component U1664 in top-hat rail mount housing. Each unit includes a one-ended and a two-ended bus terminator.

12 Connecting LON Bus Compatible Devices

Up to 64 nodes can be connected to a U1601...3 summator via the LON network. The summator is capable of interacting with the following LON compatible devices:

- Multifunctional power meter A2000, A210, A230
- Programmable multi-transducer DME400
- Electric meters U1681, U1687, U1689,
U128x W1, U138x W1
U228x W1, U238x W1
- 8-channel (S0) meter polling module U1660
- 6-channel analog input module U1661
- 6-channel relay output module OCL210

12.1 Network Interface

A so-called binding is generally required in order to enable communication amongst LON devices. This means that network variable outputs are linked (bound) to network variables inputs with the help of a tool.

Binding is not required for the U1601, which significantly simplifies installation. The nodes are addressed via the neuron ID (LON ID). The neuron ID is a twelve digit number which is printed on the device, and which can be queried via the display at the A2000. The channel function is configured with the mode command (CMODE). The desired values are selected with the sub-channel command (LonCHANNEL). Selected values and any error messages generated by the LON devices are queried cyclically (polling).

12.2 Functions

Acquiring Energy and Power Values (mode: LON, CMODE = 4 LON)

The U1601 continuously acquires meter readings and power values from the LON devices. A delta value is generated based upon the current meter reading and the previous value, which is added to Etot and Eint. The current meter reading is stored to non-volatile memory for use in generating the next delta value. Only positive delta values are taken into consideration.

Special feature for U1660 and U1661: These devices are not equipped with a non-volatile memory. If supply power to any given LON data logger is interrupted, it starts counting again from zero. Meter readings acquired after this point in time are smaller than the recorded energy value, and thus no delta value is generated. In order to assure that this energy is not ignored, the first value after a power failure is saved as the previous value, and is used as a basis for generating the next delta value.

Acquiring Analog Values (mode: LON-ANA, CMODE = 5 LonA)

LON device network variables can also be acquired as analog values. This operating mode is especially useful for the innumerable values read out by the A2000 and the DME400. Values are not integrated in this case.

Acquiring Analog Values with Integration (mode: LON-PE, CMODE = 6 L-PE)

If the analog value represents power, energy is calculated by means of integration.

Binary Inputs and Outputs

(mode: LON-INP, CMODE = 7 LonI or LON-REL, CMODE = 8 LonR)

Binary inputs can be queried with the U1660 meter polling module, and the OCL210 relay output module is capable of switching relays.

12.3 Device Descriptions

12.3.1 A2000 Multifunctional Power Meter

Energy and Power Function

Settings:

CMODE $k = 4$ LON. Desired energy is selected by means of the network variable number under LonCHANNEL. LonCHANNEL $k = Nv\#$. The displayed unit of measure is the power unit of measure. Only the energy network variable is entered, and corresponding power is read out automatically.

Energy Values and Corresponding Power

Nv#	Name	Description	Nv#	Name	Description
51	NvoWHTotExpLT	Active energy export LT	27	nvoWatTot	Active power in the network
52	NvoWHTotImpLT	Active energy import LT	27	nvoWatTot	Active power in the network
53	NvoWHTotExpHT	Active energy export HT	27	nvoWatTot	Active power in the network
54	NvoWHTotImpHT	Active energy import HT	27	nvoWatTot	Active power in the network
58	NvoVarHTotExpLT	Reactive energy export LT	35	nvoVarTot	Reactive power in the network
59	NvoVarHTotImpLT	Reactive energy import LT	35	nvoVarTot	Reactive power in the network
60	NvoVarHTotExpHT	Reactive energy export HT	35	nvoVarTot	Reactive power in the network
61	NvoVarHTotImpHT	Reactive energy import HT	35	nvoVarTot	Reactive power in the network

Only the LTHT setting is supported by the A2000 (default status).

Analog Value Function

All other network variables can be read in as analog values.

Settings:

CMODE $k = 5$ LonA. The desired value is selected by means of the network variable number under LonCHANNEL.

LonCHANNEL $k = Nv\#$. The displayed unit of measure is the power unit of measure.

12.3.2 DME400 Programmable Multi-Transducer

LON Settings: Domain 1: Length 1, ID 00
 Node state: Configured, online

Energy and Power Function

Settings:

CMODE $k = 4$ LON. Desired energy is selected by means of the network variable number under LonCHANNEL. LonCHANNEL $k = Nv\#$. The displayed unit of measure is the power unit of measure. Only the energy network variable is entered, and corresponding power is read out automatically.

Energy Values and Corresponding Power

Nv#	Name	Description	Nv#	Name	Description
51	Nvo_EnergyA	Active energy export	27	nvo_TrueSY_Power	Active power in the network
52	Nvo_EnergyB	Active energy import	27	nvo_TrueSY_Power	Active power in the network
53	Nvo_EnergyC	Inductive reactive energy	35	nvo_ReactSY_Pwr	Reactive power in the network
54	Nvo_EnergyD	Capacitive reactive energy	35	nvo_ReactSY_Pwr	Reactive power in the network

Only this setting is supported (must be configured).

Analog Value Function

All other network variables can be read in as analog values.

Settings:

CMODE k = 5 LonA. The desired value is selected by means of the network variable number under LonCHANNEL. LonCHANNEL k = Nv#. The displayed unit of measure is the power unit of measure.

12.3.3 U1681, U1687 and U1689 Electric Meters

Settings:

CMODE k = 4 LON. Desired energy is selected via LonCHANNEL.

LonCHANNEL k = 1 reads out active energy import, LonCHANNEL k = 2 reads out active energy export. Corresponding power is read out automatically.

Energy Values and Corresponding Power

Nv#	Name	Description	Nv#	Name	Description
8	Nvo01EnergyInL	Active energy import	22	nvo02Power	Active power in the network
10	Nvo01EnergyOutL	Active energy export	22	nvo02Power	Active power in the network

See also chapter 12.3.7.

12.3.4 U1660 8-Channel (S0) Meter Polling Module

Energy Meter Function

Settings:

CMODE k = 4 LON. The desired input is selected via LonCHANNEL.

LonCHANNEL k = 1 . . . 8 reads out the number of meter pulses from channels 1 through 8, from which energy is calculated by the summator. Corresponding power is calculated by the U1660 and read out automatically. The meter constant (Mconst) is transmitted to the device during installation to this end.

Binary Input Function

A U1660 meter polling module can be assigned to each of the channels of the U1601.

Settings:

CMODE k = 7 LonI. LonINP reads out the status of all 8 S0 inputs of the U1660. The energy meter function of the U1660 remains unaffected. Each input corresponds to one bit:

Input 8 7 6 5 4 3 2 1
Bit 8 7 6 5 4 3 2 1

Example: LonINP 3 = 3 means U1660 at channel 3, inputs 1 and 2 on, all others off.

12.3.5 U1661 6-Channel Analog Input Module

Energy Meter / Flow Meter Function

Settings:

CMODE k = 4 LON. The desired input is selected via LonCHANNEL.

LonCHANNEL k = 1...6 reads out energy from channels 1 through 6.

Corresponding power is calculated by the U1661 and read out automatically. The Pfactor, LonFACTOR and LonOFFSET parameters are transmitted to the device during installation to this end.

Analog Value Function (instantaneous power)

Settings:

CMODE k = 5 LonA. The desired analog value is selected via LonCHANNEL.

LonCHANNEL = 1...6 reads out analog values from channels 1 through 6. The Pfactor, LonFACTOR and LonOFFSET parameters are transmitted to the device during installation.

Power Function via LON, Energy Calculation in the U1601

Settings:

CMODE k = 6 L-PE. Desired power is selected via LonCHANNEL.

LonCHANNEL = 1...6 reads out analog power from channels 1 through 6.

Corresponding power is calculated by the U1601. The Pfactor, LonFACTOR and LonOFFSET parameters are transmitted to the device during installation.

12.3.6 OCL210 6-Channel Relay Output Module

An OCL210 relay module with 6 relays can be assigned to each channel of the U1601.

Settings:

CMODE k = 8 LonR. Each relay corresponds to one bit:

Relay 6 5 4 3 2 1

Bit 8 7 6 5 4 3 2 1

Example: LonREL 2 = 5 switches relays 1 and 3 on at channel 2 in the OCL210, all other relays are off.

12.3.7 Multifunctional Energy Meters U128x W1 and U138x W1

and A210/A230 (as from Version 4.0) mit EMMOD205 (as from Version 1.1)

Energy and Power Function

Settings:

KMODE k = 4 LON. The desired energy is selected via LonCHANNEL.

LonCHANNEL	Description	
1	Active Energy, Active Power and Errors	
2	Secondary Energy, Secondary Power and Errors	only U128x/U138x
3	Reactive Energy, Reactive Power and Errors	

Function Analog Values

Settings:

KMODE k = 5 LonA. The desired value is selected via LonCHANNEL. The unit displayed is the P-unit.

LonCHANNEL	Description	
7	Current in phase L1	
9	Current in phase L2	
8	Current in phase L3	
10	Mean value of phase currents	
11	Total active power of the three phases	
12	Active power in phase L1	
13	Active power in phase L2	
14	Active power in phase L3	
15	Total reactive power of the three phases	
16	Total power factor	
17	Power factor in phase L1	
18	Power factor in phase L2	
19	Power factor in phase L3	
20	Voltage between phases L1 and L2	
21	Voltage between phases L2 and L3	
22	Voltage between phases L3 and L1	
23	Voltage between phase L1 and N	
24	Voltage between phase L2 and N	
25	Voltage between phase L3 and N	
27	Mean value of phase voltages	
26	Basic frequency of voltage	
6	Operating hours since last activation of operating voltage	only U128x/U138x
33	Operating hours exceeded upon starting threshold of meter	only U128x/U138x

Function Determination of Mean Value from Analog Values.

KMODE k=6 LON-PE.

In this mode the analog instantaneous value (Pmom) is indicated as under LonA.

Furthermore, a **mean value** is determined in the summator for the preset interval duration (e.g. 15 minutes) which is stored in the interval memory (Pint).

The desired value is selected via LonCHANNEL.

LonTYPE

After installation, the device type and Q characteristic are indicated as LonTYPE, e. g. U1389 Q1.

12.3.8 Multifunctional Energy Meters U228x W1, U238x W1

The new energy meters of the EM228x and EM238x series transmit the primary values via LON interface. This means for features Q1 and Q9 that the secondary value is multiplied with the transformer ratio (CTxVT).

This implies for feature Q1, where CT and VT are freely configurable within specified limits, that the energy value also changes when the product of CTxVT is changed. Consequently, such a change should only be made in open-circuit mode without any load applied.

Energy and Power Function

Settings:

KMODE k = 4 LON. The desired energy is selected via LonKANAL.

Lon Channel	Network Variable	Data Type	Description	OBIS
8	nvokWhPosT1Pri	UNVT_energy_U160x	Primary active energy import, all phases, tariff no. 1	1.8.1
9	nvokWhPosT2Pri	UNVT_energy_U160x	Primary active energy import, all phases, tariff no. 2	1.8.2
10	nvokWhPosT3Pri	UNVT_energy_U160x	Primary active energy import, all phases, tariff no. 3	1.8.3
11	nvokWhPosT4Pri	UNVT_energy_U160x	Primary active energy import, all phases, tariff no. 4	1.8.4
12	nvokWhPosT5Pri	UNVT_energy_U160x	Primary active energy import, all phases, tariff no. 5	1.8.5
13	nvokWhPosT6Pri	UNVT_energy_U160x	Primary active energy import, all phases, tariff no. 6	1.8.6
14	nvokWhPosT7Pri	UNVT_energy_U160x	Primary active energy import, all phases, tariff no. 7	1.8.7
15	nvokWhPosT8Pri	UNVT_energy_U160x	Primary active energy import, all phases, tariff no. 8	1.8.8
16	nvokWhNegT1Pri	UNVT_energy_U160x	Primary active energy supply, all phases, tariff no. 1	2.8.1
17	nvokWhNegT2Pri	UNVT_energy_U160x	Primary active energy supply, all phases, tariff no. 2	2.8.2
18	nvokWhNegT3Pri	UNVT_energy_U160x	Primary active energy supply, all phases, tariff no. 3	2.8.3
19	nvokWhNegT4Pri	UNVT_energy_U160x	Primary active energy supply, all phases, tariff no. 4	2.8.4
20	nvokWhNegT5Pri	UNVT_energy_U160x	Primary active energy supply, all phases, tariff no. 5	2.8.5
21	nvokWhNegT6Pri	UNVT_energy_U160x	Primary active energy supply, all phases, tariff no. 6	2.8.6
22	nvokWhNegT7Pri	UNVT_energy_U160x	Primary active energy supply, all phases, tariff no. 7	2.8.7
23	nvokWhNegT8Pri	UNVT_energy_U160x	Primary active energy supply, all phases, tariff no. 8	2.8.8
24	nvokVArhPosT1Pri	UNVT_energy_U160x	Primary reactive energy import, all phases, tariff no. 1	3.8.1
25	nvokVArhPosT2Pri	UNVT_energy_U160x	Primary reactive energy import, all phases, tariff no. 2	3.8.2
26	nvokVArhPosT3Pri	UNVT_energy_U160x	Primary reactive energy import, all phases, tariff no. 3	3.8.3
27	nvokVArhPosT4Pri	UNVT_energy_U160x	Primary reactive energy import, all phases, tariff no. 4	3.8.4
28	nvokVArhPosT5Pri	UNVT_energy_U160x	Primary reactive energy import, all phases, tariff no. 5	3.8.5
29	nvokVArhPosT6Pri	UNVT_energy_U160x	Primary reactive energy import, all phases, tariff no. 6	3.8.6
30	nvokVArhPosT7Pri	UNVT_energy_U160x	Primary reactive energy import, all phases, tariff no. 7	3.8.7
31	nvokVArhPosT8Pri	UNVT_energy_U160x	Primary reactive energy import, all phases, tariff no. 8	3.8.8
32	nvokVArhNegT1Pri	UNVT_energy_U160x	Primary reactive energy supply, all phases, tariff no. 1	4.8.1
33	nvokVArhNegT2Pri	UNVT_energy_U160x	Primary reactive energy supply, all phases, tariff no. 2	4.8.2
34	nvokVArhNegT3Pri	UNVT_energy_U160x	Primary reactive energy supply, all phases, tariff no. 3	4.8.3
35	nvokVArhNegT4Pri	UNVT_energy_U160x	Primary reactive energy supply, all phases, tariff no. 4	4.8.4
36	nvokVArhNegT5Pri	UNVT_energy_U160x	Primary reactive energy supply, all phases, tariff no. 5	4.8.5
37	nvokVArhNegT6Pri	UNVT_energy_U160x	Primary reactive energy supply, all phases, tariff no. 6	4.8.6
38	nvokVArhNegT7Pri	UNVT_energy_U160x	Primary reactive energy supply, all phases, tariff no. 7	4.8.7
39	nvokVArhNegT8Pri	UNVT_energy_U160x	Primary reactive energy supply, all phases, tariff no. 8	4.8.8
40	nvokWhPosPri	UNVT_energy_U160x	Primary active energy import, all tariffs	1.8.0
41	nvokWhNegPri	UNVT_energy_U160x	Primary active energy supply, all tariffs	2.8.0
42	nvokVArhPosPri	UNVT_energy_U160x	Primary reactive energy import, all tariffs	3.8.0
43	nvokVArhNegPri	UNVT_energy_U160x	Primary reactive energy supply, all tariffs	4.8.0

Analog Values Function

Settings:

KMODE k = 5 LonA. The desired value is selected via LonKANAL. The unit shown is the P-unit.

Lon Channel	Network Variable	Data Type	Description
Phase voltages			
44	nvoU12	SNVT_volt_f	Phase-to-phase voltage, L1 and L2
45	nvoU23	SNVT_volt_f	Phase-to-phase voltage, L2 and L3
46	nvoU31	SNVT_volt_f	Phase-to-phase voltage, L3 and L1
47	nvoU1N	SNVT_volt_f	Phase-to-neutral voltage, L1 and N
48	nvoU2N	SNVT_volt_f	Phase-to-neutral voltage, L2 and N
49	nvoU3N	SNVT_volt_f	Phase-to-neutral voltage, L3 and N
50	nvoUAvg	SNVT_volt_f	Mean value of line-to-line voltage
51	nvoFreq	SNVT_freq_hz	Fundamental voltage frequency
52	nvoThdU1	SNVT_lev_percent	THD voltage L1
53	nvoThdU2	SNVT_lev_percent	THD voltage L2
54	nvoThdU3	SNVT_lev_percent	THD voltage L3
Phase currents			
55	nvoI1	SNVT_amp_f	Current in phase L1
56	nvoI2	SNVT_amp_f	Current in phase L2
57	nvoI3	SNVT_amp_f	Current in phase L3
58	nvoIAvg	SNVT_amp_f	Phase current mean value
59	nvoIN	SNVT_amp_f	Calculated neutral conductor current
60	nvoThdI1	SNVT_lev_percent	THD current I1
61	nvoThdI2	SNVT_lev_percent	THD current I2
62	nvoThdI3	SNVT_lev_percent	THD current I3

Please refer to the interface description for the LON interface (3-349-908-03) for further information.

12.4 Reinstalling a LON Device

The following actions are executed when a LON device is installed:

- Find a bus user based upon the entered neuron ID.
- Read out device type.
- Assign net variables to be read in to a summator channel. Each multi-channel device has only one neuron ID. The channel is selected with the sub-channel parameter.
- For U1660 and U1661: Transmit parameters to the device.
- For energy metering (MODE = LON): Start delta value generation, i.e. the first value is saved as previous value energyOld. Delta value = energy – energyOld. Energy values recorded previously by the LON device are not taken into consideration.

Reinstallation of a LON channel is initialized with the LonNEW c = 1 command, or by changing the neuron ID. Reinstallation of all LON channels is initialized with the command:

LonNEW ** = 1 or via SETUP / LON / INSTALLation

12.4.1 Preparing the Summator

Set bus termination at the control panel:

SETUP / LON / TERMINATION = 50 Ohm (SetLON = RA50)

LON network termination is set via TERMINATION:

TERMINATION = open in case of external termination

TERMINATION = 50 Ohm with free topology

TERMINATION = 100 Ohm with bus topology using two terminators
(branch lines < 3 m).

12.4.2 Preparing the LON Device

Connect the LON terminal at the LON device to the summator.

Connect operating power to the LON device.

12.4.3 Configuration via the Summator Control Panel

- Configure the summator channel:
LON activity = STOPPED
Set the channel mode: MODE = LON (or LON-ANA, LON-PE, LON-INP, LON-REL)
Enter the sub-channel.
Enter the neuron ID of the LON device.
Enter and/or check all other channel parameters.
LON activity = RUN
- If the summator finds the device, the device type is displayed in the left column.
U1661.6 indicates a U1661 device with 6 channels.
Parameters are transmitted to the device, and are read back in the case of the U1660 and the U1661.
U1660: Check METER CONSTANT.
U1661: Check LONFACTOR, LONOFFSET and P-FACTOR.
- Check LON type.
If the type is displayed correctly: Check for channel errors.
Installation is now complete.

If the connected device is not displayed at LON type: Check the LON ID.

If LON type is ???????: Check the LON ID, and check LON wiring.

Start reinstallation:

By changing the neuron ID. For example, set the first digit to 1, and then back to 0.

Reinstallation of all channels can be initialized via SETUP / LON / INSTALLATION.

Repeat this procedure until the device type is recognized.

12.5 Configuration at a PC with ECSwin Software

- Log on to the desired summator at the terminal.
- Access the “Configure / Channel parameters” menu function.
- Wait until all data have been read in.
- Enter all parameters to the “Meter inputs” index register.
 - MConst is transmitted to the device for the U1660 (double check).
 - P-FACTOR is transmitted to the device for the U1661 (double check).
- Enter all parameters to the “LON parameters” index register.
 - The LON factor and LON offset parameters are transmitted to the device for the U1661, (double check).
- Transmit data to the summator.
- Data are read back automatically and the LONtype column is filled in (this column has read-only access). Due to the fact that type recognition via the LON bus takes several seconds, “???????.?” is sometimes displayed as a type designation. The channel parameters window should then be exited and reopened.
- Check LON type.

If the type is displayed correctly: Check for channel errors.

Installation is now complete.

If the connected device is not displayed at LON type: Check the LON ID.

If LON type is ???????.?: Check the LON ID, and check LON wiring.

Start reinstallation:

Use the following command for a single channel: LonRE c = 1 in terminal window

Use the following command for a all channels: LonRE ** = 1

Repeat this procedure until the device type is recognized.

12.6 Replacing a LON Device

- Deactivate the affected summator channel
(control panel: MODE = OFF; ECSwin: CMode = 0).
Deactivate all affected channels for multi-channel devices.
- Replace the LON device.
- Enter a new LON ID.
- Reactivate all deactivated channels
(control panel: MODE = LON; ECSwin: CMode = 4).
- Check LON type.
 - If the type is displayed correctly: Check for channel errors.Replacement is now complete.

If the connected device is not displayed at LON type: Check the LON ID.

If LON type is ???????.?: Check the LON ID, and check LON wiring.

Parameters are transmitted to the device in the case of the U1660 and the U1661.

Check for parameters configuring errors. Control panel: CHANNEL ERROR menu,

terminal: ErrChan c

If a parameters configuring error is detected:

For U1660: Check METER CONSTANT

For U1661: Check LONFACTOR, LONOFFSET and P-FACTOR.

Start reinstallation:

At the control panel: by changing the neuron ID. For example, set the first digit to 1, and then back to 0.

Reinstallation of all channels can be initialized via SETUP / LON / INSTALLATION.

At terminal window: For one channel with the following command LonRE c = 1

For all channels with the following command LonRE ** = 1

Repeat this procedure until the device type is recognized.

12.7 Additional LON Parameters

- Waiting time for responses:

SETUP / LON / TIMING CODE = 9 (LONSTATTIMing = 9)

Waiting time is set for a response with TIMING CODE. TIMING CODE is an encoded value for the duration of time allowed between a query and a response. The default setting (9) should only be changed by experts!

- Time between two queries:

A delay can be selected here in order to reduced data traffic in the bus.

SETUP / LON / POLL DELAY = 0 (LonPOLLDELay = 0)

POLL DELAY is time between queries from 2 channels in milliseconds.

Example: POLL DELAY = 300, 60 channels:
all channels are queried in 18 seconds.

Default: POLL DELAY = 0, 60 channels:
all channels are queried in 5 seconds.

TIMING-CODE	Waiting time in ms
LONSTATTIMing	
0	16
1	24
2	32
3	48
4	64
5	96
6	128
7	192
8	256
9	384
10	512
11	768
12	1.024
13	1.536
14	2.048
15	3.072

12.8 Channel Errors

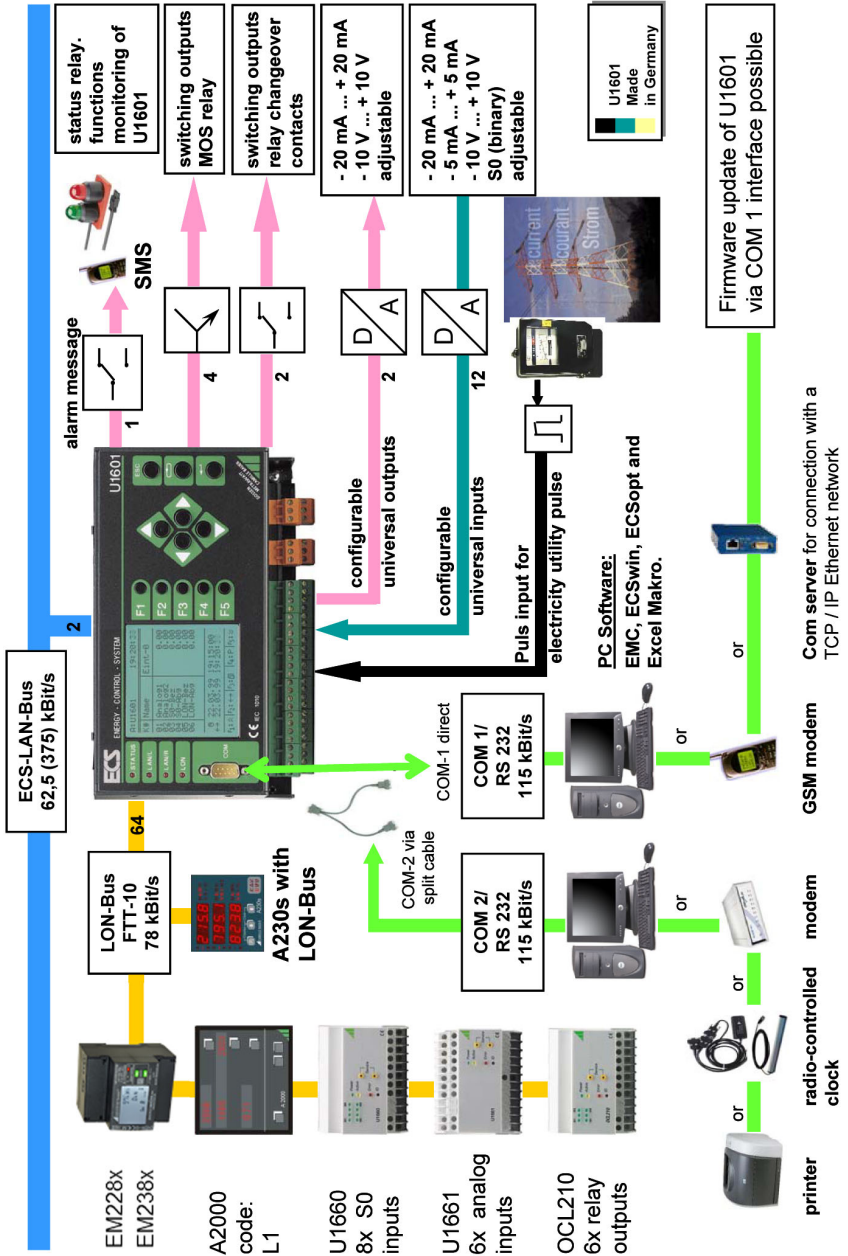
The following channel errors may occur depending upon the type of installed device:

Bit	U1601 Description	A2000	DME400	U1660	U1661	U1681	U1687	U1689	OCL21 0	U1281 U1381	U1289 U1387 U1389	EM228x EM236x
1	Communications error	✓	✓	✓	✓	✓	✓	✓	✓	✓	✓	✓
2	Unknown device									✓	✓	✓
3	Self-test error	✓				✓	✓	✓		✓	✓	✓
4	Calibration error									✓	✓	✓
6	Off-line	✓	✓	✓	✓	✓	✓	✓	✓	✓	✓	✓
9	Broken sensor				✓ ¹⁾					✓	✓	✓
10	Phase failure						✓	✓		✓	✓	✓
11	Phase sequence error	✓						✓			✓	✓
12	Overflow	✓			✓	✓	✓	✓		✓	✓	✓
25	Parameter configura- tion error			✓	✓							

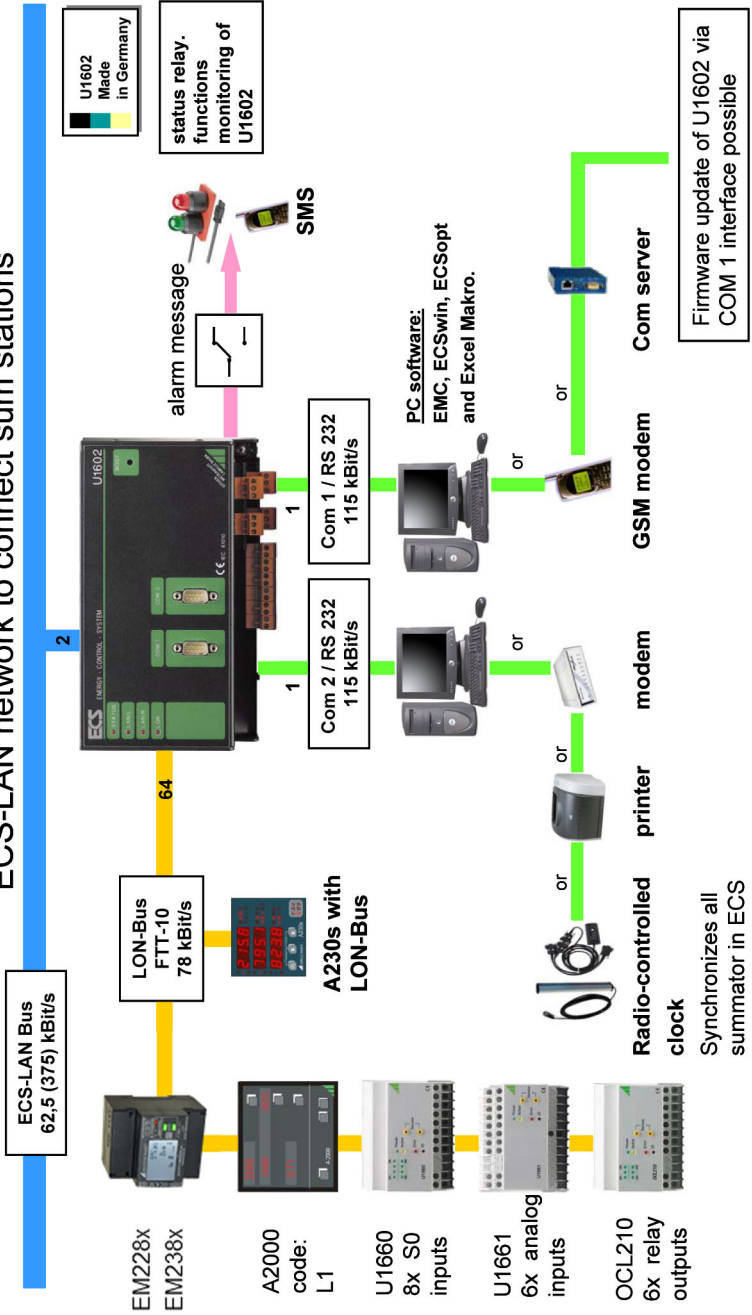
¹⁾ Only for U1661 B2 4 ... 20 mA

13 Functions Overviews

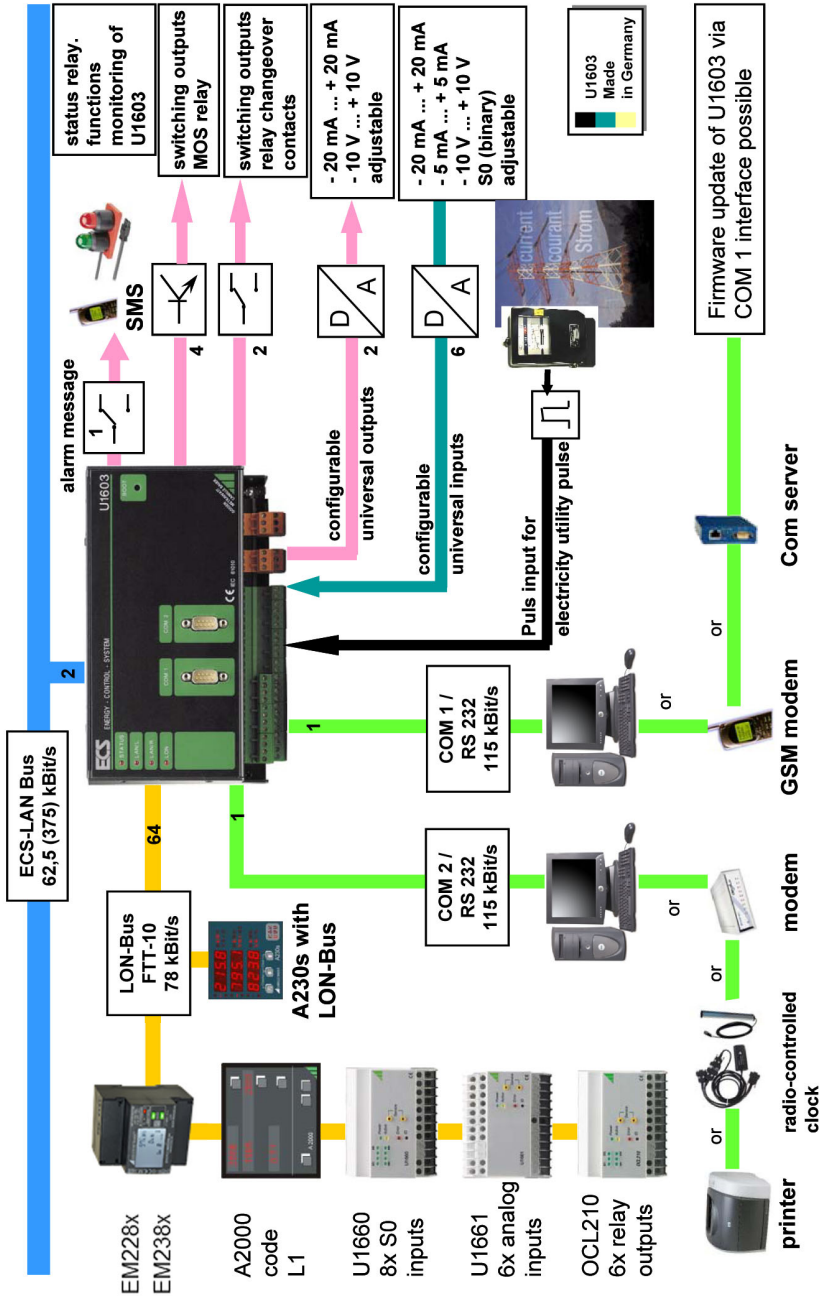
Functions Overview U1601



ECS-LAN network to connect sum stations



Functions Overview U1603



14 Index

Numerics

2-wire technology	12
4-wire technology	12

A

A2000 connection	64
ANA faktor, ANA offset	37
ANA fix point	37
Analog inputs (binary)	
DIP switch	50
General	8
Parameter settings	33, 36
Terminal assignments	48
Analog output test	32
Analog outputs A1 and A2	8
ASCII oriented database	17, 54

B

Background Programs	54
Basic software configuration	46
Battery	
fault condition	9
maintenance	78
Binary input	8
Binary meter inputs	8
Binding	63
Bootstrap and tests	32
Broadcast message	13
Bus termination (LON)	39, 62

C

Cable Lengths (LAN Bus)	12
Cable type	62
C-Factor	35
Channel errors	72
Channel mode	34
Channel name	6, 34
Channel numbers	6
Channel Start/Stop	7, 34
Channel visible	34
Characteristic values	56
Configuration at a PC with ECSwin	71
Cost factors T1 and T2	31

D

Data logger	16
Data logger memory structure	17
Date format	32
Debouncing time	8
DIR	12
DME400 connection	64
Drill hole pattern	52
DTE - Data Terminal Equipment	9

E

ECL - Energy Control Language	54
ECS LAN	10, 39
Energy metering	7
Energy values	14
ERASE Menu	40
E-unit, P-unit	34

F

Fiber optic transmission	10
FINDER	6, 9
Firmware update	43
Fix point	35
Floating decimal point numbers	7

H

H programs	54
------------------	----

I

Identification	13
Interval	16
Interval source	31
Interval time	31

L

LAN LED	13
Language	32
LCD contrast	32
LEVEL	8
Linking, differential	6
LON activity	37
LON channel	37
LON factor, LON offset	37
LON LED	13
Long name	34
Loop resistance	10

M

Master-Reset	45
Matching resistor (ECS LAN)	10
Maximum cable lengths	62
Memory duration	16
Meter connection	
Circuit diagram	53
Settings	65
Meter constant	35
Multi-master system architecture	10

N

Network topologies	61
Neuron ID	37
Numbers range	7

O		
OCL210	66	
On/Off function	7	
P		
P program	54	
Password	32	
P-factor	7, 35	
POLL DELAY	39	
Power calculation	7	
Power factor	35	
Programming	54	
Pulse time	35	
R		
Range of values for the data logger	17	
Reinstallation	39	
Reinstalling a LON device	70	
Relay / SO mode	32	
Relay name	9	
Relay output	9	
Repeat	61	
Replacing a LON device	71	
RS232 interface	9	
RS485	12	
S		
SO / Level	32	
SO standard	8	
Sampling time	8	
Self test	9	
SO outputs S1 through S4	9	
Source (tariff source)	31	
Start/Stop function	7	
STATCHECK	9	
Station ID	31	
Station name	31	
SUBNET/NODE	39	
Sub-program	54	
Switching the channel display On and Off	7	
Synchronization pulse	8	
Synchronizing-interval data logger	16	
T		
T fix point	31	
Tariff unit	31	
Time / Date	31	
TIMING CODE	39	
Toroidal-core memory	17	
Transmission speed	10	
Trigger edge	8, 35	
U		
U128x-W1	66	
U138x-W1	66	
U1660	65	
U1661	66	
U1681, U1687, U1689	65	
U228x W1	68	
U238x W1	68	
U-ratio, I-ratio	35	
User directory	12	
V		
Virtual channels	6, 54	

15 Maintenance, Repair, Product Support

Battery Maintenance

The integrated backup battery (MnO₂-Li button cell) can be replaced with the help of the cover plate at the top of the instrument. The cover plate must first be removed. The rounded end of the plate and its 90° angle tab are designed to accommodate the battery. After laying the plate onto the button cell and snapping the tab into place, the battery can be removed by gently pulling on the plate.

The new button cell (only type CR2450 batteries may be used) can then simply be inserted gently into the battery compartment.

Attention: Only use the cover plate designed for this purpose to remove the battery, and do not insert the plate into the housing next to the battery!

Opening of Equipment / Repair

The equipment may be opened only by authorized service personnel to ensure the safe and correct operation of the equipment and to keep the warranty valid.

Even original spare parts may be installed only by authorized service personnel.

In case the equipment was opened by unauthorized personnel, no warranty regarding personal safety, measurement accuracy, conformity with applicable safety measures or any consequential damage is granted by the manufacturer.

Repair and Replacement Parts Service

DAkKS Calibration Center and Rental Instrument Service

If required please contact:

GMC-I Service GmbH

Service Center

Beuthener Straße 41

90471 Nürnberg • Germany

Phone +49 911 817718-0

Fax +49 911 817718-253

e-mail service@gossenmetrawatt.com

www.gmci-service.com

This address is only valid in Germany. Please contact our representatives or subsidiaries for service in other countries.

Product Support Industrial Division

If required please contact:

Gossen Metrawatt GmbH

Product Support Hotline – Industrial Division

Phone +49 911 8602-500

Fax +49 911 8602-340

E-mail support.industrie@gossenmetrawatt.com

© Gossen Metrawatt GmbH

Edited in Germany • Subject to change without notice / Errors excepted • A PDF version is available on the Internet

All trademarks, registered trademarks, logos, product names, and company names are the property of their respective owners.

 **GOSSEN METRAWATT**

Gossen Metrawatt GmbH
Südwestpark 15
90449 Nürnberg • Germany

Phone +49 911 8602-111
Fax +49 911 8602-777
E-mail info@gossenmetrawatt.com
www.gossenmetrawatt.com